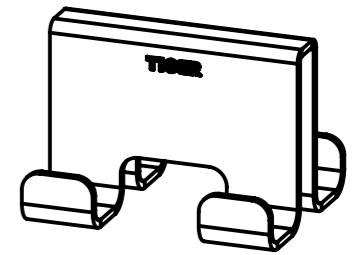
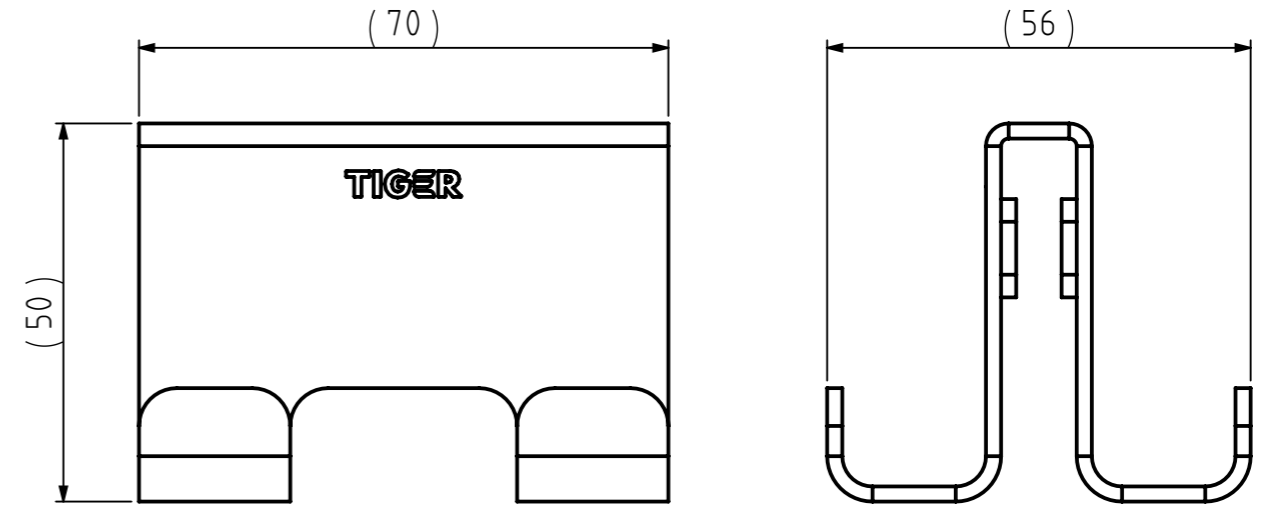
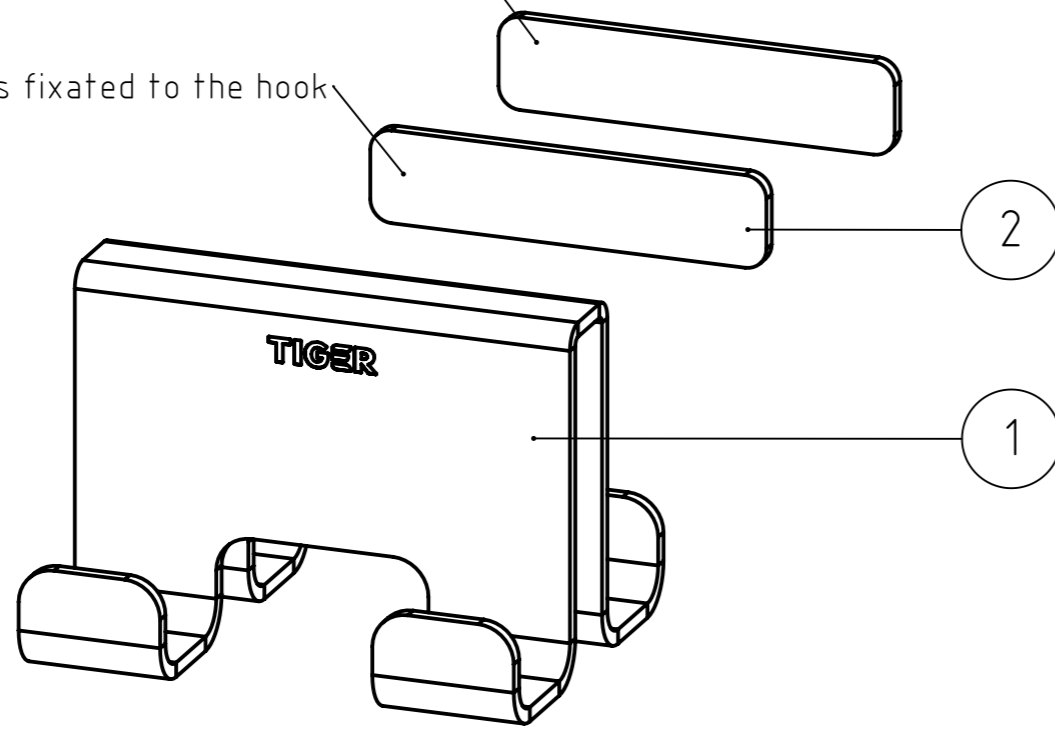


FINAL DRAWING

other pad is included in the packaging
front pad is fixated to the hook



2	Protection pad	2	207.09.02	Silicone rubber, Grey, 60 Shore A, with 3M tape	One side adhesive	
1	Glass hook double	1	207.11.01	Stainless steel 430	Chromium Plated	
NR.	DESCRIPTION	QTY.	DRAW.NR.	MATERIAL	TREATMENT	
GENERAL DIMENSION UNLESS OTHERWISE STATED ACCORDING TO DIN 7168			DESCRIPTION:			
CLASS	NOMINAL MEASUREMENTS (mm)					
	0.5 UNTIL 3	3 UNTIL 6	6 UNTIL 30	30 UNTIL 120	120 UNTIL 400	400 UNTIL 1000
M (MIDDLE)	±0.1	±0.1	±0.2	±0.3	±0.5	±0.8
PROJECTION:	GENERAL ANGLE:		EAN:		VERSION NAME:	
	±0,5°		8720553010364		Chrome	
DRAWN BY:	FS	GENERAL ROUGHNESS:		PROJECT:		TIGER Tiger Nederland b.v. Winde 3, PO box 11 5660 AA Geldrop The Netherlands
CHECKED BY:	MS	0,8/√		207-Caddy		
DATE:	3-4-2020	UNITS:		DRAWING NR.:		
STATUS:	Production	mm		207.11.00TC		
PRINT DATE:	8-4-2025	SCALE:				
INT.REV.NR.:	00	FORMAT:				
		SHEET:				
		A3				
		2/3				