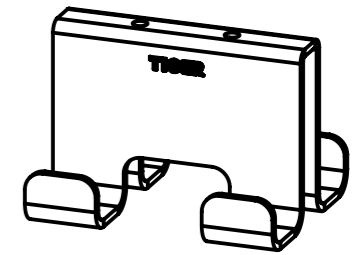
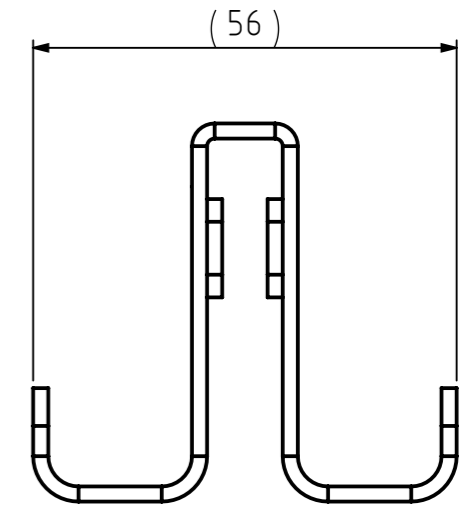
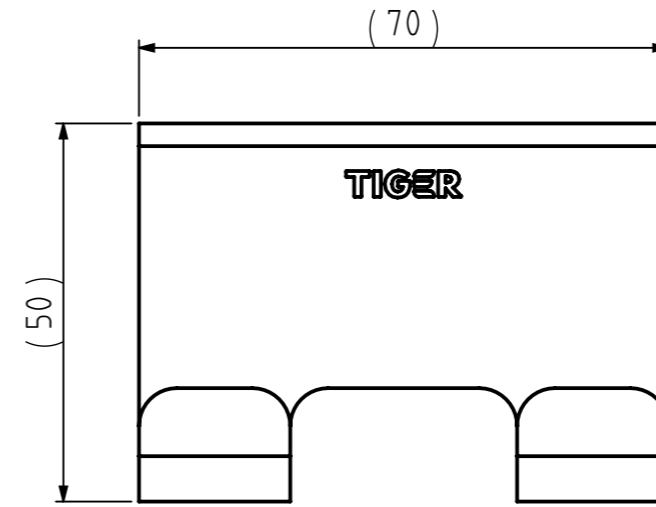
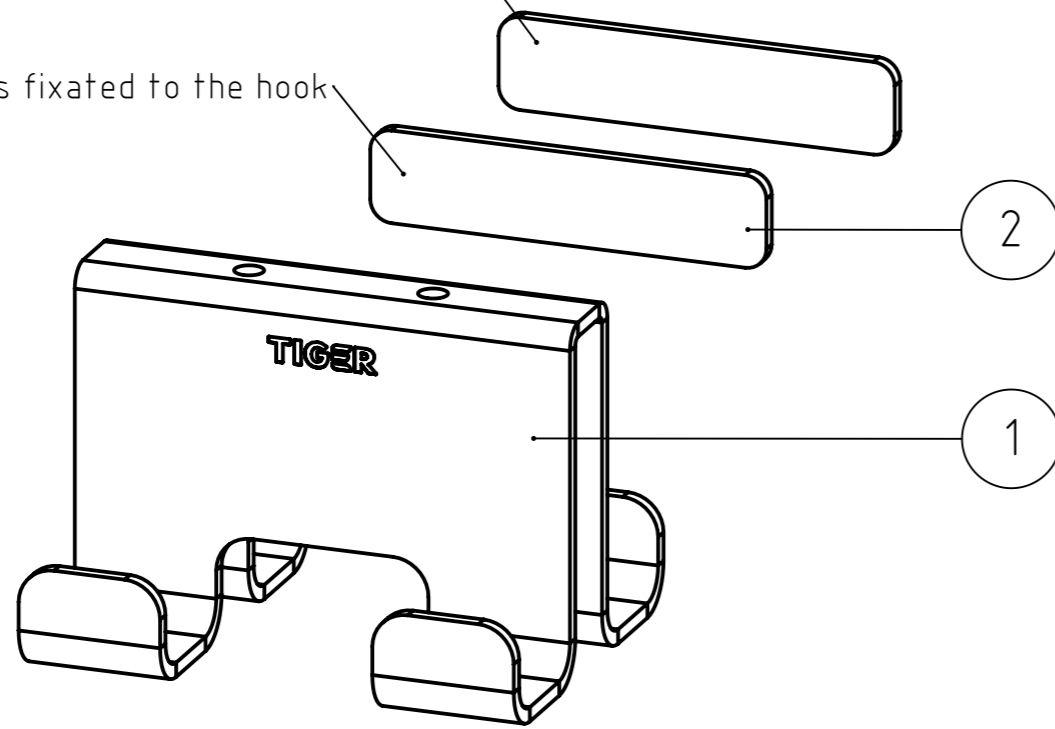


FINAL DRAWING

other pad is included in the packaging
 front pad is fixated to the hook



2	Protection pad	2	207.09.02	Silicone rubber, Grey, 60 Shore A, with 3M tape	One side adhesive	
1	Glass hook double	1	207.11.01	Stainless steel 430	Powder coated, texture VDI 3400 ref.30 - RAL 9005 (Jet black)	
NR.	DESCRIPTION	QTY.	DRAW.NR.	MATERIAL	TREATMENT	
GENERAL DIMENSION UNLESS OTHERWISE STATED ACCORDING TO DIN 7168			DESCRIPTION:			
CLASS	NOMINAL MEASUREMENTS (mm)					
	0.5 UNTIL 3	3 UNTIL 6	6 UNTIL 30	30 UNTIL 120	120 UNTIL 400	400 UNTIL 1000
M (MIDDLE)	±0.1	±0.1	±0.2	±0.3	±0.5	±0.8
PROJECTION:	GENERAL ANGLE:		EAN:		VERSION NAME:	
	±0,5°		8720553010371		Black	
DRAWN BY:	FS	GENERAL ROUGHNESS:		PROJECT:		
CHECKED BY:	MS	0,8/√		207-Caddy		
DATE:	3-4-2020	UNITS:		DRAWING NR.:		
STATUS:	Production	mm		207.11.00TB		
PRINT DATE:	8-4-2025	SCALE:		TIGER Tiger Nederland b.v. Winde 3, PO box 11 5660 AA Geldrop The Netherlands		
INT.REV.NR.:	00	FORMAT:				
		1:1				
		A3				
		SHEET:				
		3/3				

The reproduction, distribution and utilization of this document as well as the communication of its contents to others without express authorization is prohibited. Offenders will be held liable for the payment of damages. All rights reserved in the event of the grant of a patent, utility model or design. Copyright reserved.