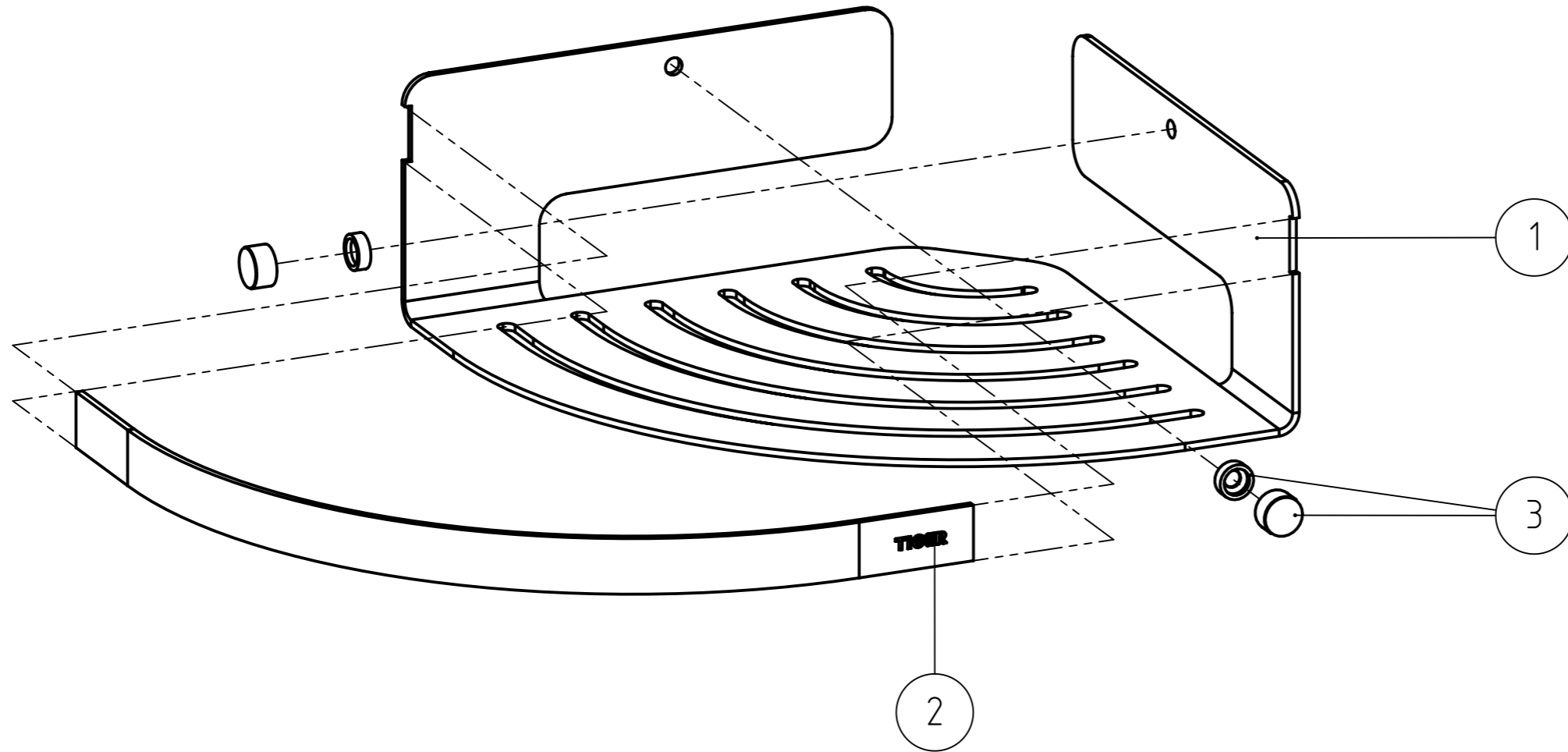
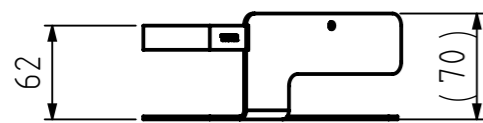
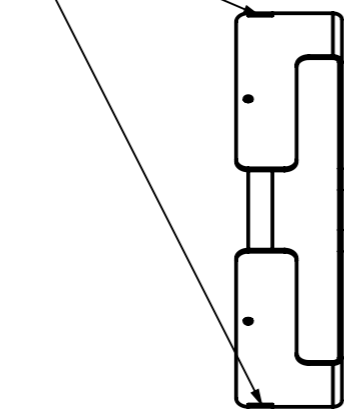
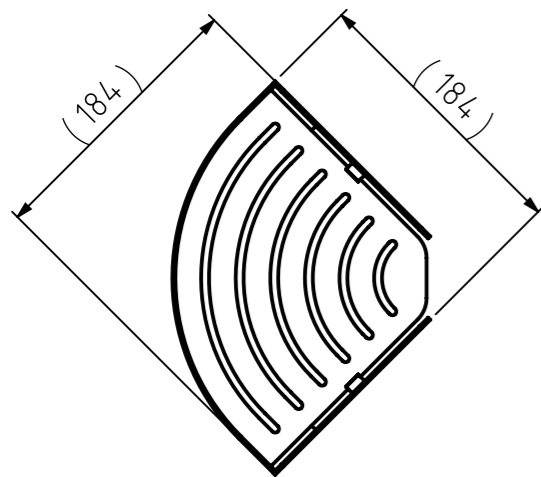


# FINAL DRAWING

REVISIONS				
REV.	DESCRIPTION	DATE	BY	APPROVED
-	See 207.04.00.TS	-	-	-



Smooth welds (grinded)



### Remarks:

- Only weld on the back side
- Add '9953.180.50 - Fixationset Info 4,5 x 45 mm RVS A2 (Vigo-style)'

NR.	DESCRIPTION	QTY.	DRAW.NR.	MATERIAL	TREATMENT
3	Screw cap assembly (11,5x6,2mm)	2	BUY.15.00	-	Powder coated, texture VDI 3400 ref.30 - RAL 9005 (Jet black)
2	Corner strip	1	207.04.02	Stainless steel AISI 430	Powder coated, texture VDI 3400 ref.30 - RAL 9005 (Jet black)
1	Corner basket	1	207.04.01	Stainless steel AISI 430	Powder coated, texture VDI 3400 ref.30 - RAL 9005 (Jet black)

GENERAL DIMENSION UNLESS OTHERWISE STATED ACCORDING TO DIN 7168								DESCRIPTION:		
CLASS	NOMINAL MEASUREMENTS (mm)							Corner basket		
	0.5 UNTIL 3	3 UNTIL 6	6 UNTIL 30	30 UNTIL 120	120 UNTIL 400	400 UNTIL 1000	1000 UNTIL 2000			2000 UNTIL 4000
M (MIDDLE)	±0.1	±0.1	±0.2	±0.3	±0.5	±0.8	±1.2	±2	VERSION NAME:	ARTICLE NR.:
PROJECTION:	GENERAL ANGLE:			EAN:		VERSION NAME:		ARTICLE NR.:		
	±0,5°			4008911400427		black		14004.3.07.46		
DRAWN BY:	MS		GENERAL ROUGHNESS:		0,8		PROJECT:		<b>TIGER</b> Tiger Nederland b.v. Winde 3, PO box 11 5660 AA Geldrop The Netherlands	
CHECKED BY:	FVP		UNITS:		mm		DRAWING NR.:			
DATE:	30-10-2013		SCALE:		1:5		207-Caddy			
STATUS:	Production		FORMAT:		A3		207.04.00.TB			
PRINT DATE:	8-4-2025		SHEET:		3/3					
INT.REV.NR.:	05									

The reproduction, distribution and utilization of this document as well as the communication of its contents to others without express authorization is prohibited. Offenders will be held liable for the payment of damages. All rights reserved in the event of the grant of a patent, utility model or design. Copyright reserved.