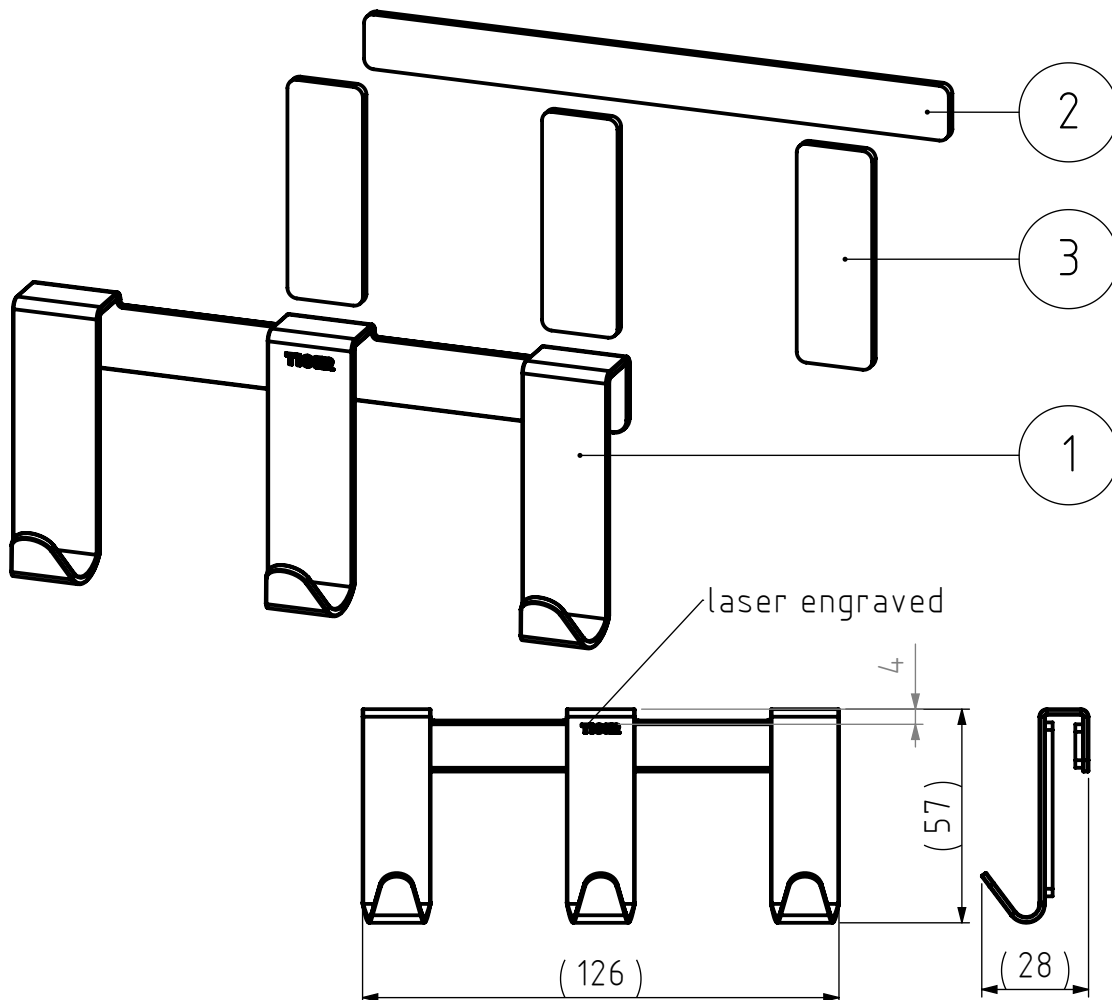


The reproduction, distribution and utilization of this document as well as the communication of its contents without express authorization is prohibited. Offenders will be held liable for the payment of damages. All rights reserved in the event of the grant of a patent, utility model or design. Copyright reserved.

1	2	3	4	
REVISIONS				
REV.	DESCRIPTION	DATE	BY	APPROVED
1	Protection pad big is attached to Basic glass hook rack, the Protection pads are included separately.	8-8-2017	MS	WW

FINAL DRAWING



Remarks:

- The Protection pads (nr.3) are not attached to the other parts. (Included separately)

NR.	DESCRIPTION	QTY.	DRAW.NR.	MATERIAL	TREATMENT
3	Protection pad	3	225.19.02	Silicone rubber, PMS 432C, 60 Shore A	One side adhesive
2	Protection pad big	1	225.17.02	Silicone rubber, PMS 432C, 60 Shore A	One side adhesive
1	Basic glass hook rack	1	225.17.01	Stainless steel 304	Brushed

GENERAL DIMENSION UNLESS OTHERWISE STATED ACCORDING TO DIN 7168								DESCRIPTION:		
CLASS	NOMINAL MEASUREMENTS (mm)								Basic glass hook rack	
	0.5 UNTIL 3	3 UNTIL 6	6 UNTIL 30	30 UNTIL 120	120 UNTIL 400	400 UNTIL 1000	1000 UNTIL 2000	2000 UNTIL 4000		
M (MIDDLE)	±0.1	±0.1	±0.2	±0.3	±0.5	±0.8	±1.2	±2	VERSION NAME: stainless steel	
PROJECTION:			GENERAL ANGLE: ±0,5°			EAN: 4008911118032			ARTICLE NR.: 11182.3.09.42	
DRAWN BY: MS			GENERAL ROUGHNESS: 0,8			PROJECT: 225-hooks 2016			 Tiger Products b.v. Winde 3, PO box 11 5660 AA Geldrop The Netherlands	
CHECKED BY: FVP			UNITS: mm			DRAWING NR: 225.17.00.TS				
DATE: 20-9-2016			SCALE: 1:2							
STATUS: Production			FORMAT: A4							
PRINT DATE: 8-4-2026			SHEET: 1/1							
INT.REV.NR.: 02										