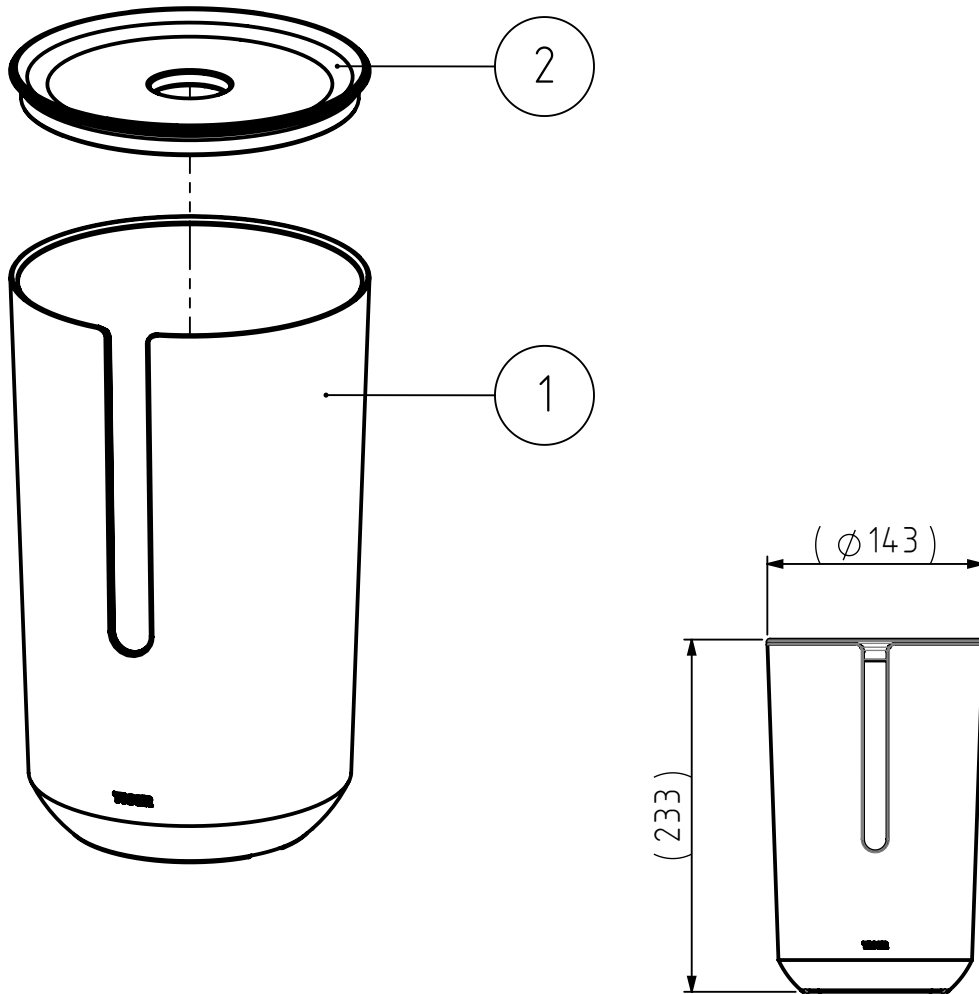


The reproduction, distribution and utilization of this document as well as the communication of its contents to others without express authorization is prohibited. Offenders will be held liable for the payment of damages. All rights reserved in the event of the grant of a patent, utility model or design. Copyright reserved.

1	2	3	4
REVISIONS			
REV.	DESCRIPTION	DATE	BY
-	See TB	-	-

# FINAL DRAWING



2	Lid	1	264.06.02	ABS - Black RAL 9005, Matt	Texture VDI 3400 ref.27 (light)
1	Spare toilet roll holder	1	264.06.01	PP - Dark blue Pantone 541U, matt	Texture VDI 3400 ref.27 (light)
NR.	DESCRIPTION	QTY.	DRAW.NR.	MATERIAL	TREATMENT

GENERAL DIMENSION UNLESS OTHERWISE STATED ACCORDING TO DIN 7168				DESCRIPTION:						
CLASS	NOMINAL MEASUREMENTS (mm)							Spare toilet roll holder		
	0.5 UNTIL 3	3 UNTIL 6	6 UNTIL 30	30 UNTIL 120	120 UNTIL 400	400 UNTIL 1000	1000 UNTIL 2000			2000 UNTIL 4000
M (MIDDLE)	±0.1	±0.1	±0.2	±0.3	±0.5	±0.8	±1.2	±2	VERSION NAME:	
PROJECTION:		GENERAL ANGLE:		EAN:		dark blue			ARTICLE NR.:	
		±0,5°		4008911329063		PROJECT:			1329227246	
DRAWN BY:		MS		GENERAL ROUGHNESS:		264-Tess			<b>TIGER</b> Tiger Nederland b.v. Winde 3, PO box 11 5660 AA Geldrop The Netherlands	
CHECKED BY:				UNITS:		DRAWING NR.:				
DATE:		18-9-2019		mm		264.06.00.TDB				
STATUS:		Production		SCALE:		1:5				
PRINT DATE:		8-4-2026		FORMAT:		A4				
INT.REV.NR.:		02		SHEET:		3/3				