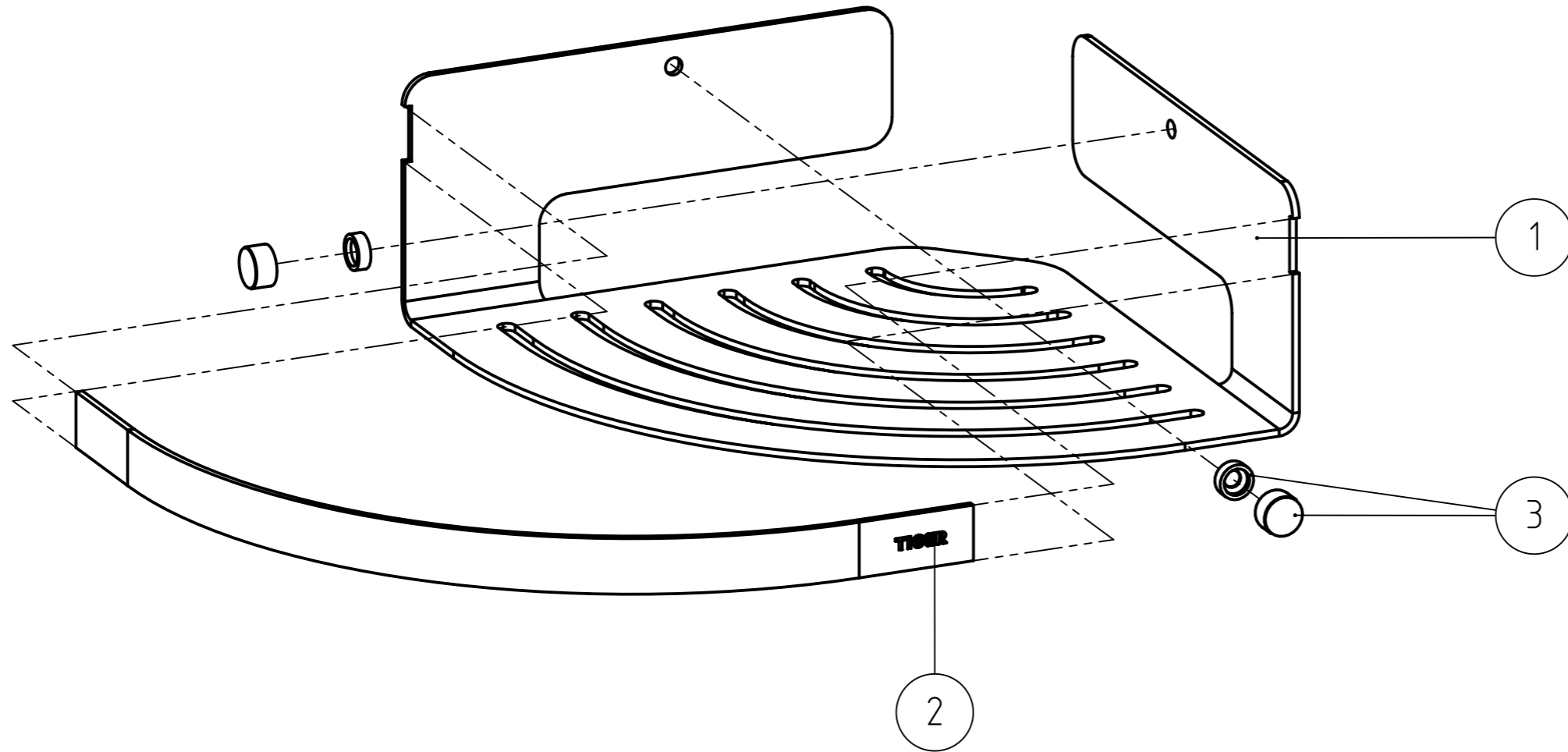
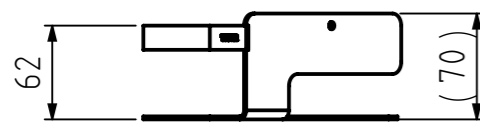
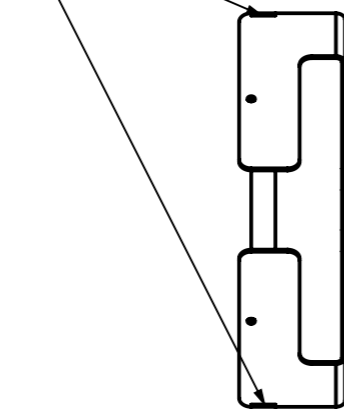
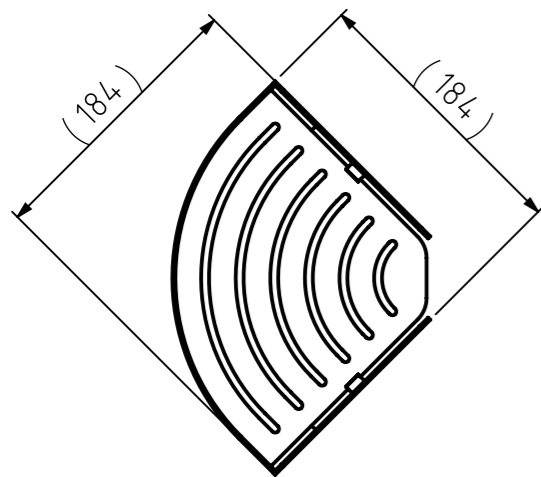


# FINAL DRAWING

REVISIONS				
REV.	DESCRIPTION	DATE	BY	APPROVED
-	See 207.04.00.TS	-	-	-



Smooth welds (grinded)



### Remarks:

- Only weld on the back side
- Add '9953.180.50 - Fixationset Info 4,5 x 45 mm RVS A2 (Vigo-style)'

NR.	DESCRIPTION	QTY.	DRAW.NR.	MATERIAL	TREATMENT
3	Screw cap assembly (11,5x6,2mm)	2	BUY.15.00	-	Chromium plated
2	Corner strip	1	207.04.02	Stainless steel AISI 430	Chromium Plated
1	Corner basket	1	207.04.01	Stainless steel AISI 430	Chromium Plated

GENERAL DIMENSION UNLESS OTHERWISE STATED ACCORDING TO DIN 7168								DESCRIPTION:		
CLASS	NOMINAL MEASUREMENTS (mm)							Corner basket		
	0.5 UNTIL 3	3 UNTIL 6	6 UNTIL 30	30 UNTIL 120	120 UNTIL 400	400 UNTIL 1000	1000 UNTIL 2000			2000 UNTIL 4000
M (MIDDLE)	±0.1	±0.1	±0.2	±0.3	±0.5	±0.8	±1.2	±2	VERSION NAME:	ARTICLE NR.:
PROJECTION:	GENERAL ANGLE:			EAN:		PROJECT:		chrome		14004.3.03.46
PROJECTION:	±0,5°			4008911400410		207-Caddy				
DRAWN BY:	MS		GENERAL ROUGHNESS:		0,8/√		DRAWING NR.:			
CHECKED BY:	FVP		UNITS:		mm		207.04.00.TC			
DATE:	30-10-2013		SCALE:		1:5		Tiger Nederland b.v. Winde 3, PO box 11 5660 AA Geldrop The Netherlands			
STATUS:	Production		FORMAT:		A3					
PRINT DATE:	8-4-2025		SHEET:		2/3					
INT.REV.NR.:	05									

The reproduction, distribution and utilization of this document as well as the communication of its contents to others without express authorization is prohibited. Offenders will be held liable for the payment of damages. All rights reserved in the event of the grant of a patent, utility model or design. Copyright reserved.