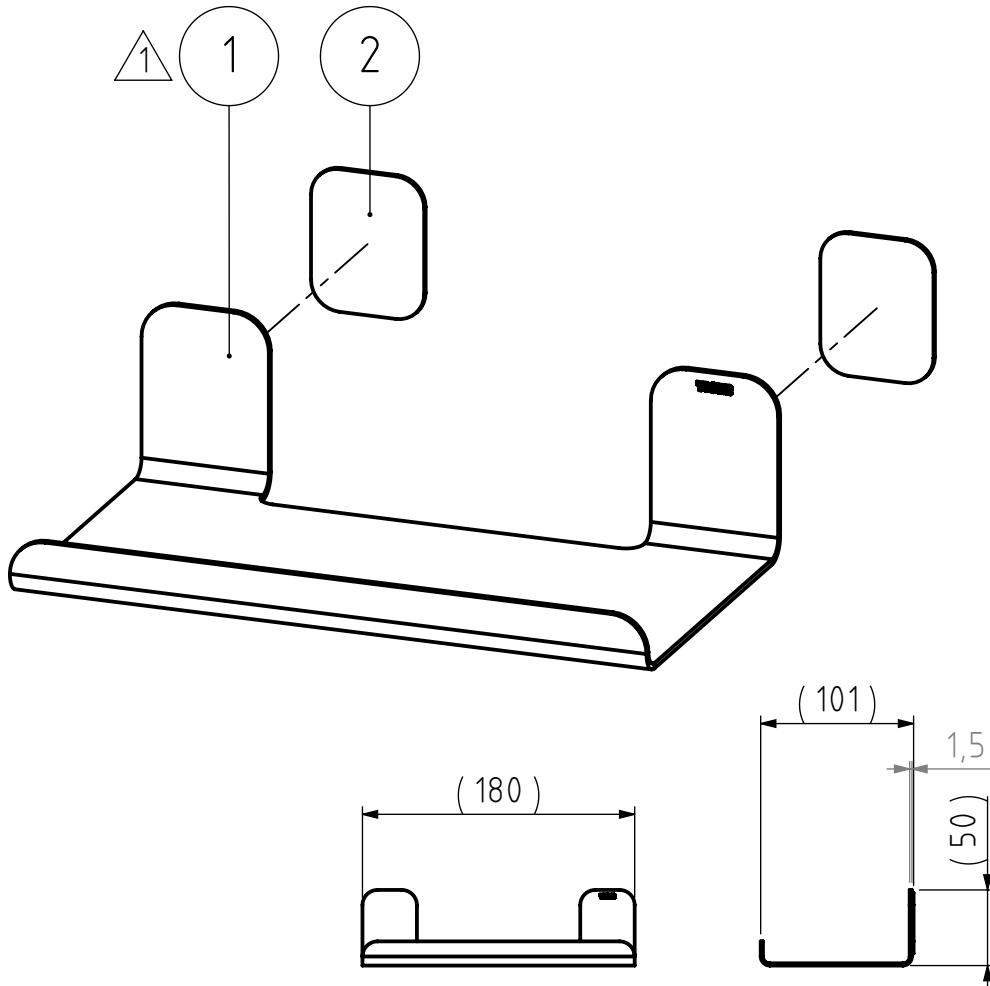


The reproduction, distribution and utilization of this document as well as the communication of its contents to others without express authorization is prohibited. Offenders will be held liable for the payment of damages. All rights reserved in the event of the grant of a patent, utility model or design. Copyright reserved.

1		2		3		4	
REVISIONS							
REV.	DESCRIPTION			DATE	BY	APPROVED	
1	Measurements changed			19-5-2016	MS	WW	
2	Black version added			28-7-2021	MS	FvP	
3	3MTape VHB4945->GPH110 and metal sheet 2.0->1.5mm			10-10-2023	JDB		

FINAL DRAWING



2	Tape pad small	2	205.06.02	3M Tape VHB GPH110 1.10mm	-
1	Shelf small	1	205.21.01	Stainless steel 304	Brushed
NR.	DESCRIPTION	QTY.	DRAW.NR.	MATERIAL	TREATMENT

GENERAL DIMENSION UNLESS OTHERWISE STATED ACCORDING TO DIN 7168								DESCRIPTION:		
CLASS	NOMINAL MEASUREMENTS (mm)							Shelf small		
	0.5 UNTIL 3	3 UNTIL 6	6 UNTIL 30	30 UNTIL 120	120 UNTIL 400	400 UNTIL 1000	1000 UNTIL 2000			
M (MIDDLE)	±0.1	±0.1	±0.2	±0.3	±0.5	±0.8	±1.2	±2		

PROJECTION: 	GENERAL ANGLE: ±0,5°	VERSION NAME: stainless steel	ARTICLE NR. (packed product): 1313230946 (for packaging information see GDS)
-----------------	-------------------------	----------------------------------	--

DRAWN BY: MS	GENERAL ROUGHNESS: 0,8	PROJECT: 205-Colar	 Tiger Products b.v. Winde 3, PO box 11 5660 AA Geldrop The Netherlands
CHECKED BY:	UNITS: mm	DRAWING NR: 205.21.00.TS	
DATE: 6-8-2015	SCALE: 1:5		
STATUS: Production	FORMAT: A4		
PRINT DATE: 14-4-2026	SHEET: 1/3		
INT.REV.NR.: 02			