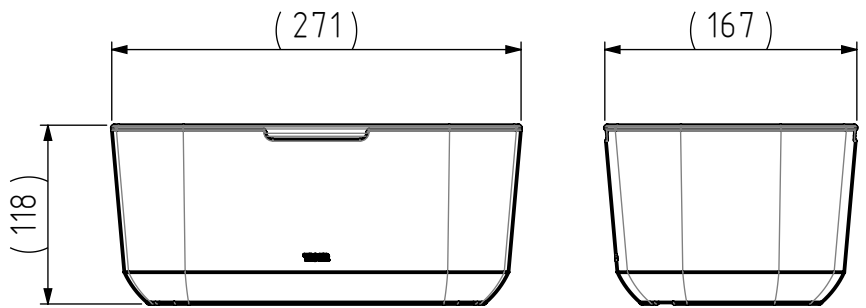
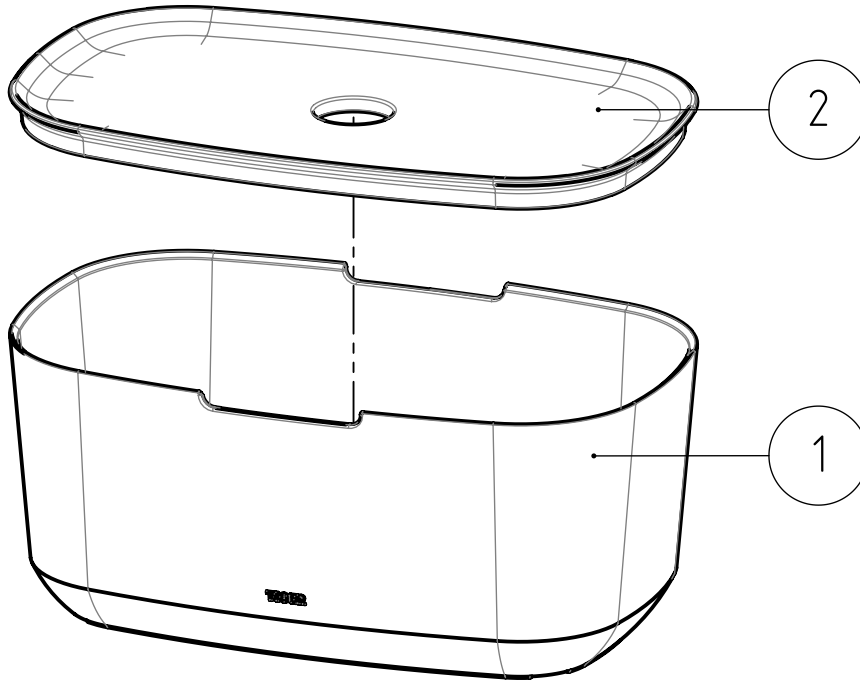


The reproduction, distribution and utilization of this document as well as the communication of its contents to others without express authorization is prohibited. Offenders will be held liable for the payment of damages. All rights reserved in the event of the grant of a patent, utility model or design. Copyright reserved.

1	2		3		4	
REVISIONS						
REV.	DESCRIPTION			DATE	BY	APPROVED
-	See TB			-	-	-

# FINAL DRAWING



2	Lid	1	264.07.02	ABS - Black RAL 9005, matt	Texture VDI 3400 ref.27 (light)
1	Basket	1	264.07.01	PP - Dark blue Pantone 541U, matt	Texture VDI 3400 ref.27 (light)
NR.	DESCRIPTION	QTY.	DRAW.NR.	MATERIAL	TREATMENT

GENERAL DIMENSION UNLESS OTHERWISE STATED ACCORDING TO DIN 7168								DESCRIPTION:		
CLASS	NOMINAL MEASUREMENTS (mm)								Basket	
	0.5 UNTIL 3	3 UNTIL 6	6 UNTIL 30	30 UNTIL 120	120 UNTIL 400	400 UNTIL 1000	1000 UNTIL 2000	2000 UNTIL 4000		
M (MIDDLE)	±0.1	±0.1	±0.2	±0.3	±0.5	±0.8	±1.2	±2	VERSION NAME: dark blue	
PROJECTION:		GENERAL ANGLE:		EAN:		VERSION NAME:		ARTICLE NR.:		
		±0,5°		4008911328028		dark blue		1328527246		
DRAWN BY:		MS		GENERAL ROUGHNESS:		PROJECT:		<b>TIGER</b> Tiger Nederland b.v. Winde 3, PO box 11 5660 AA Geldrop The Netherlands		
CHECKED BY:				0,8/		264-Amlap				
DATE:		2-7-2019		UNITS:		DRAWING NR.:				
STATUS:		Production		SCALE:		264.07.00.TDB				
PRINT DATE:		8-4-2026		FORMAT:						
INT.REV.NR.:		02		SHEET:		3/3				