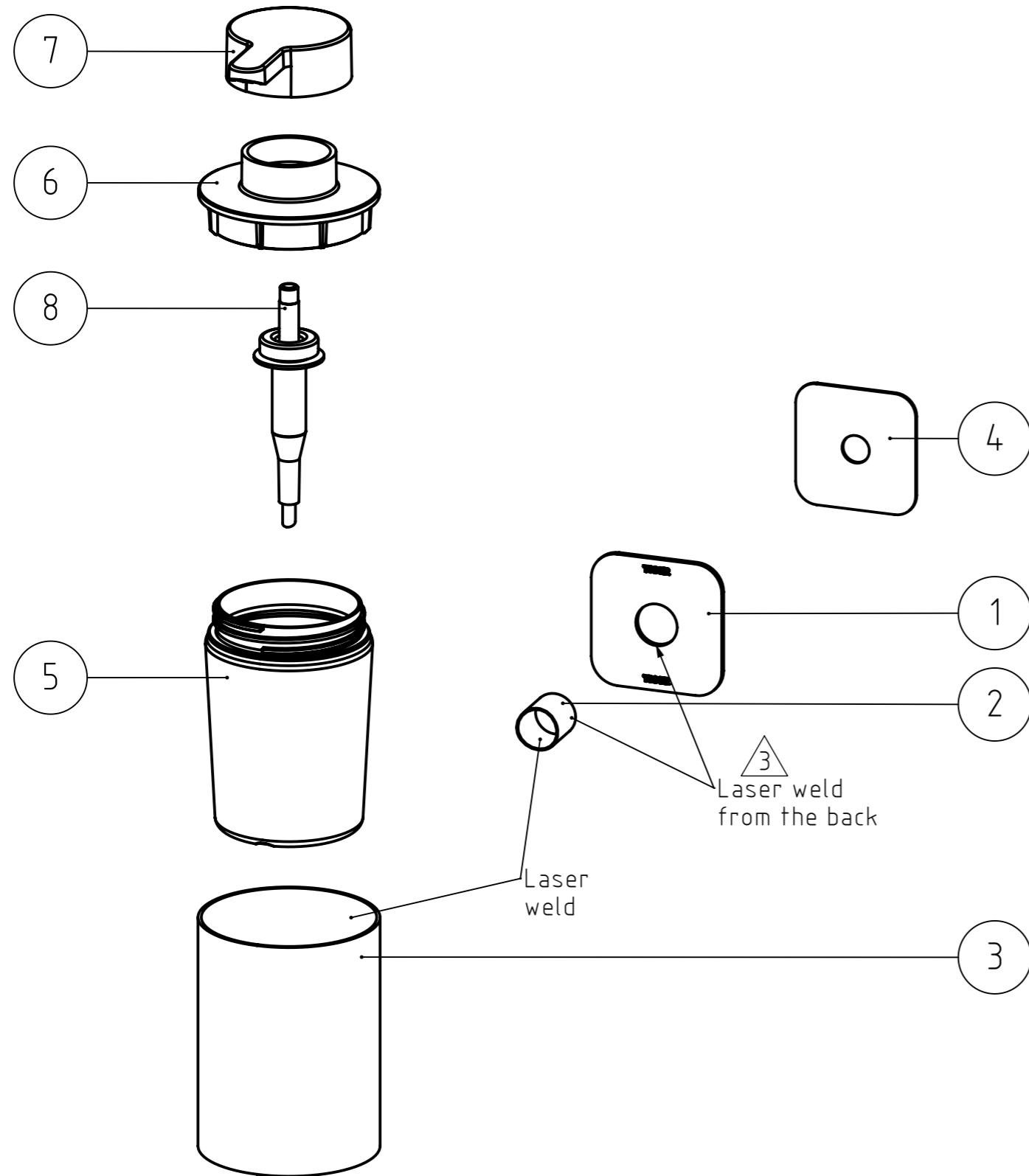
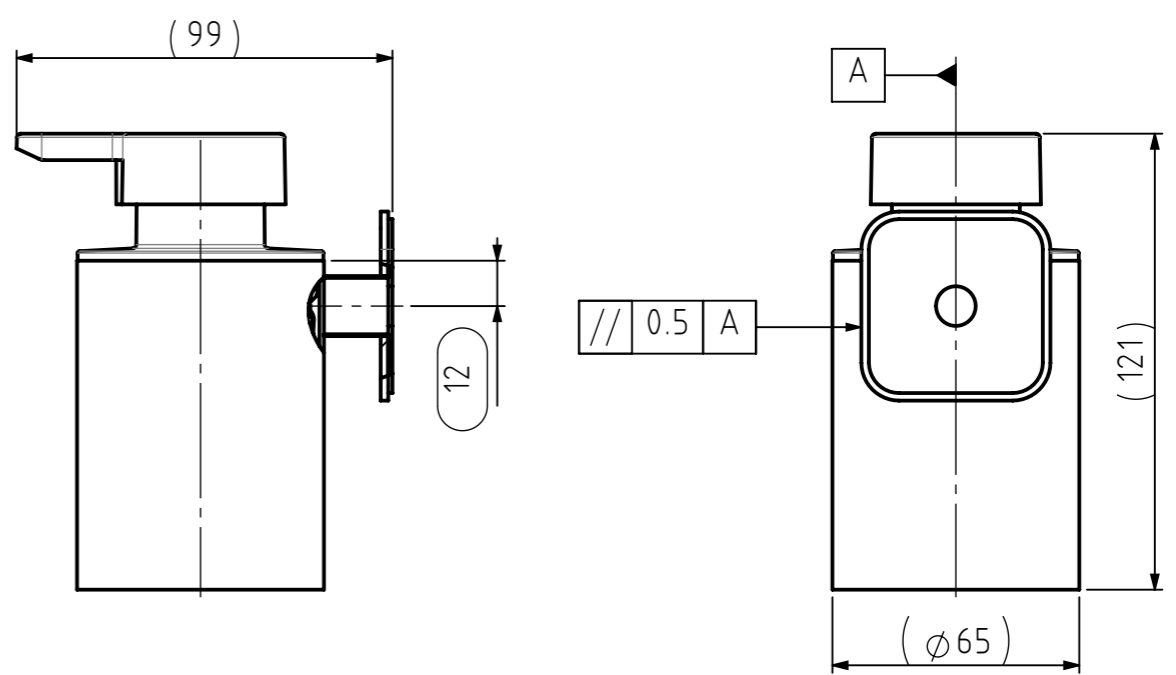


# FINAL DRAWING



REVISIONS				
REV.	DESCRIPTION	DATE	BY	APPROVED
1	Production method and material of 205.01.02 Connector have been changed at the makers request, from Aluminium CNC milling to Zamac3 casting.	26-6-2018	MS	FvP
2	Black version added.	27-7-2021	MS	FvP
3	Changed construction to welded wall plate	18-10-2024		



NR.	DESCRIPTION	QTY.	DRAW.NR.	MATERIAL	TREATMENT
8	Pump unit	1	BUY.06.00	Various	Various
7	Dispenser head	1	223.02.05	ABS - Black RAL 9005, semi gloss	Texture VDI 3400 ref.30 (standard)
6	Dispenser screw base	1	223.02.04	ABS - Black RAL 9005, semi gloss	Texture VDI 3400 ref.30 (standard)
5	Dispenser beaker	1	223.02.03	PET	Technical Smooth
4	Tape pad big	1	205.04.08	3M Tape VHB GPH110 1.10mm	-
3	Dispenser holder (no logo)	1	205.15.01	Stainless steel 304	Brushed
2	Tube	1	205.01.05	Stainless steel 304	Brushed
1	Wall plate 2	1	205.09.04	Stainless steel 304	Polished - High gloss

GENERAL DIMENSION UNLESS OTHERWISE STATED ACCORDING TO DIN 7168		DESCRIPTION:																											
<table border="1"> <thead> <tr> <th rowspan="2">CLASS</th> <th colspan="8">NOMINAL MEASUREMENTS (mm)</th> </tr> <tr> <th>0.5 UNTIL 3</th> <th>3 UNTIL 6</th> <th>6 UNTIL 30</th> <th>30 UNTIL 120</th> <th>120 UNTIL 400</th> <th>400 UNTIL 1000</th> <th>1000 UNTIL 2000</th> <th>2000 UNTIL 4000</th> </tr> </thead> <tbody> <tr> <td>M (MIDDLE)</td> <td>±0.1</td> <td>±0.1</td> <td>±0.2</td> <td>±0.3</td> <td>±0.5</td> <td>±0.8</td> <td>±1.2</td> <td>±2</td> </tr> </tbody> </table>		CLASS	NOMINAL MEASUREMENTS (mm)								0.5 UNTIL 3	3 UNTIL 6	6 UNTIL 30	30 UNTIL 120	120 UNTIL 400	400 UNTIL 1000	1000 UNTIL 2000	2000 UNTIL 4000	M (MIDDLE)	±0.1	±0.1	±0.2	±0.3	±0.5	±0.8	±1.2	±2	<b>Soap dispenser</b> ARTICLE NR. (packed product): 1313430946 (for packaging information see GDS)	
CLASS	NOMINAL MEASUREMENTS (mm)																												
	0.5 UNTIL 3	3 UNTIL 6	6 UNTIL 30	30 UNTIL 120	120 UNTIL 400	400 UNTIL 1000	1000 UNTIL 2000	2000 UNTIL 4000																					
M (MIDDLE)	±0.1	±0.1	±0.2	±0.3	±0.5	±0.8	±1.2	±2																					
PROJECTION:	GENERAL ANGLE:	VERSION NAME:	ARTICLE NR. (packed product):																										
	±0,5°	stainless steel	1313430946																										
DRAWN BY:	MS	GENERAL ROUGHNESS:	PROJECT:																										
CHECKED BY:		0,8 /	205-Colar																										
DATE:	15-1-2016	UNITS:	DRAWING NR.:																										
STATUS:	Production	mm	205.15.00.TS																										
PRINT DATE:	14-4-2026	SCALE:	<b>TIGER</b> Tiger Products b.v. Winde 3, PO box 11 5660 AA Geldrop The Netherlands																										
INT.REV.NR.:	03	1:2																											
		FORMAT:																											
		A3																											
		SHEET:																											
		1/3																											

The reproduction, distribution and utilization of this document as well as the communication of its contents to others without express authorization is prohibited. Offenders will be held liable for the payment of damages. All rights reserved in the event of the grant of a patent, utility model or design. Copyright reserved.