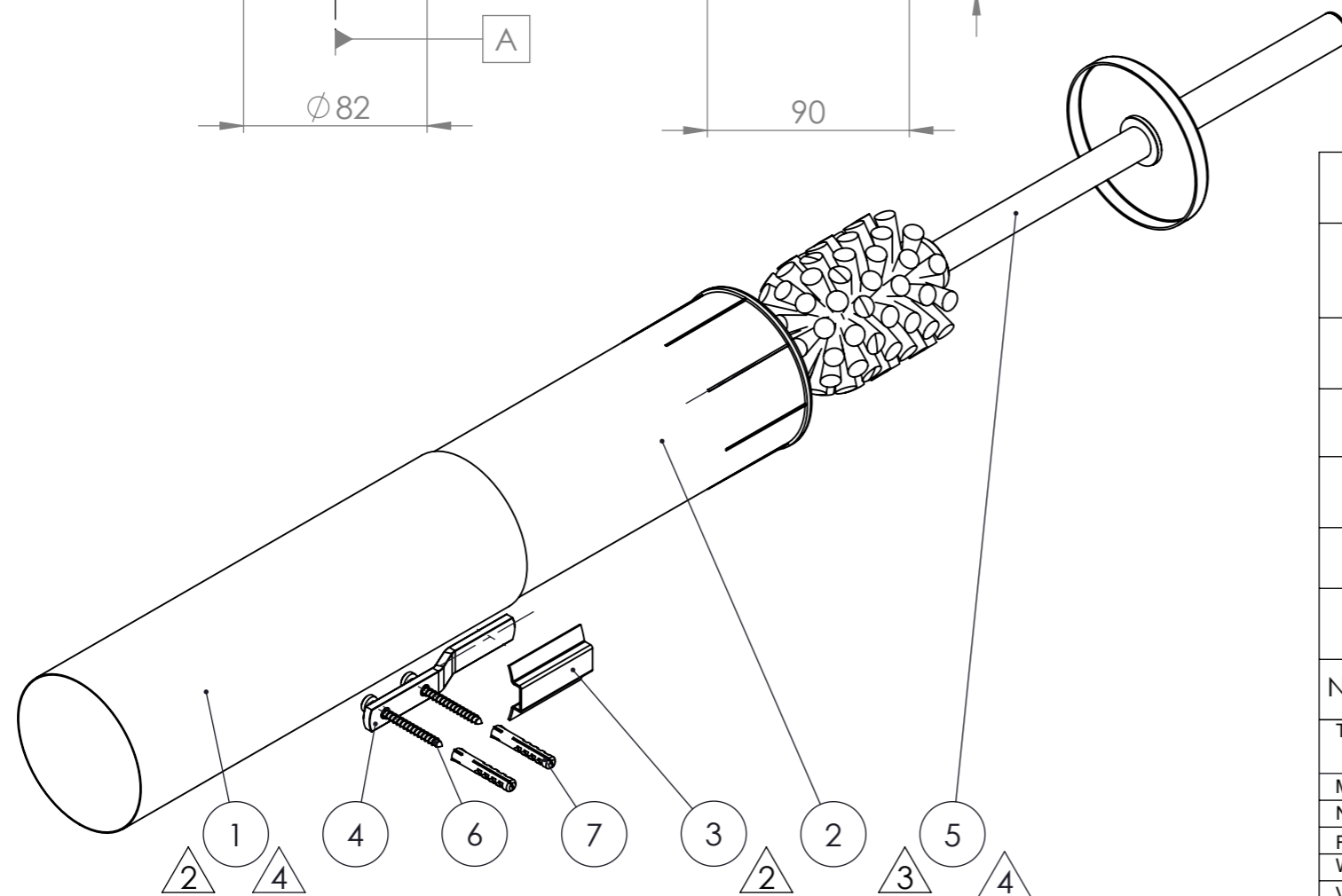
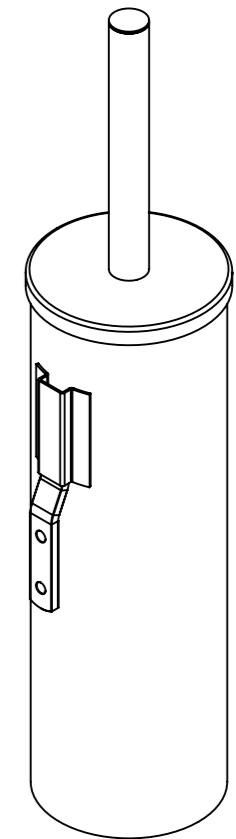
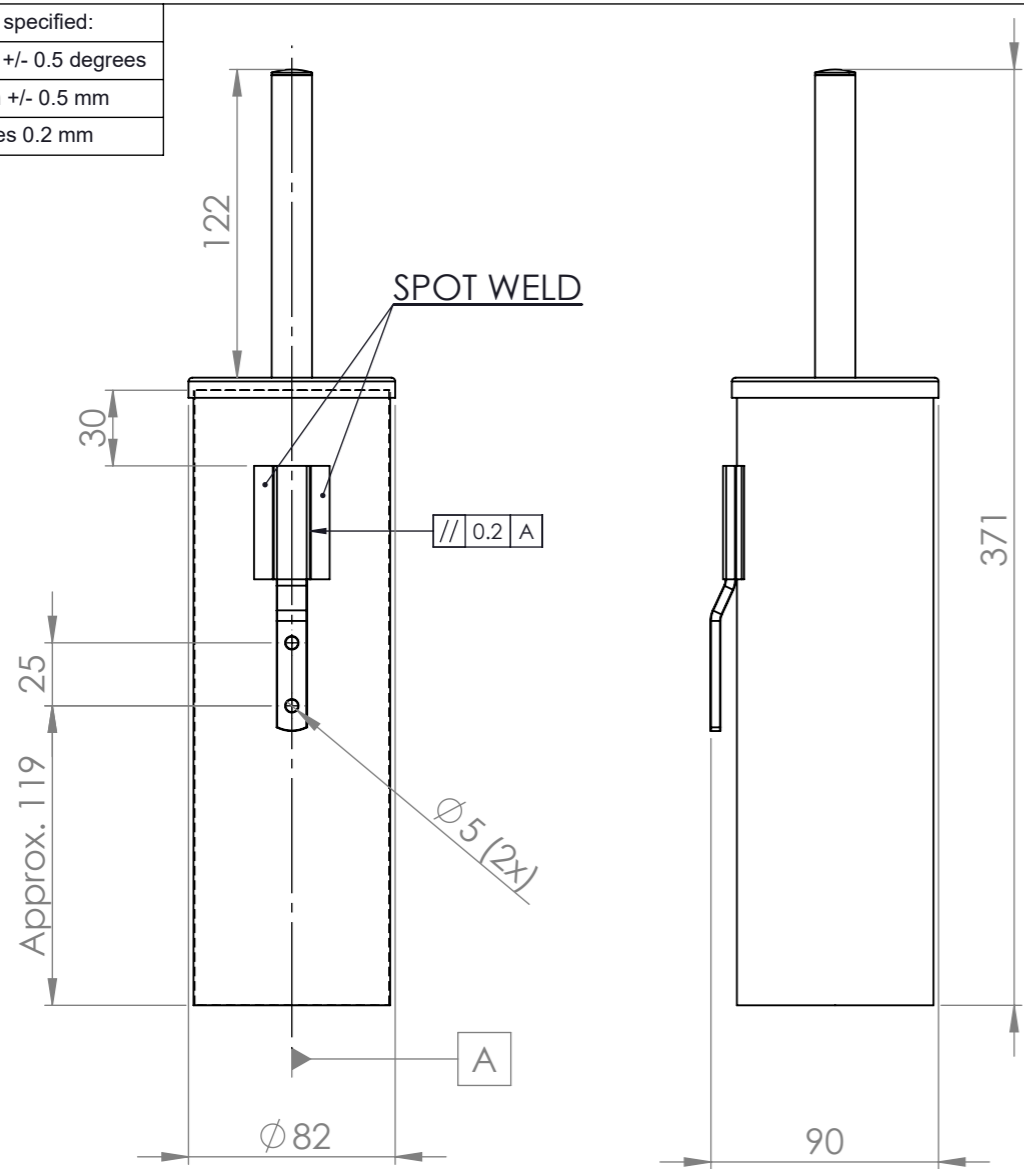


Unless otherwise specified:
 Angle Dimension +/- 0.5 degrees
 Linear Dimension +/- 0.5 mm
 Corners and edges 0.2 mm

REV	DATE	MODIFIED BY	DESCRIPTION
2	24-09-2015	N.U.	modified several parts
3	23-02-2016	N.U.	updated file brush, changed title
4	21-09-2016	SL	Updated parts, removed bottom



- Surfaces must be free from scratches, burrs and dents
- A 3D file is linked to this drawing, for additional information please check 3D file.

NO.	QTY.	Drawing nr.	Article nr.	DESCRIPTION	MATERIAL	NOTES
7	2	001297	225000-9	Plug Fischer UX6x35 No Collar	Material <not specified>	
6	2	001595	228500-4	4.2x45mm DIN 7981C PZ2	Zinc plated Steel	Cross recessed pan head tapping screw, Stafa DUPLEX 700 coating
5	1	005479	91224419	Handle with brush for 916510-06, 916511-06 and 91633-06	-	
4	1	001501	-	Wall bracket - Chrome	Stainl.st. 304 (1.4301)	
3	1	001500	--	Bracket tube	Stainl.st. 304 (1.4301)	
2	1	001491		Plastic container	PP	
1	1	001492		Tube Ø78mm	Stainl.st. 304 (1.4301)	

Title Toilet brush holder, wall mounted, black brush				Note	
Material -		 Phone: 0031-(33)4633214 Email: geesa@geesa.nl		Series Nemox	
Norm.				Article nr. 916511-06	
Finish				Drawing nr. 005480	
Weight (gr) 611.03				A3	
Vol. (cm³) 285.51		Drawn M. Weststrate 17-11-2011		Sheet no.	
Am. projectie		Scale: 1:3		Revision 04	
Checked SL		21-09-2016		Sheet1/No.of sheets 1	