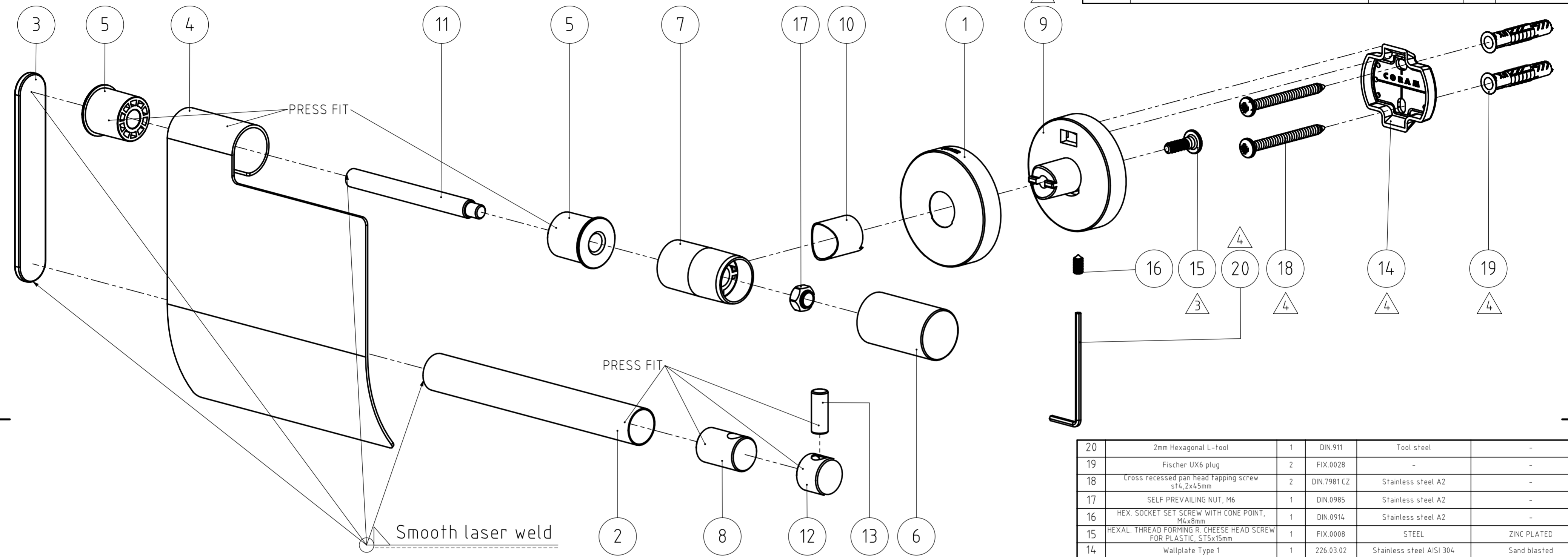
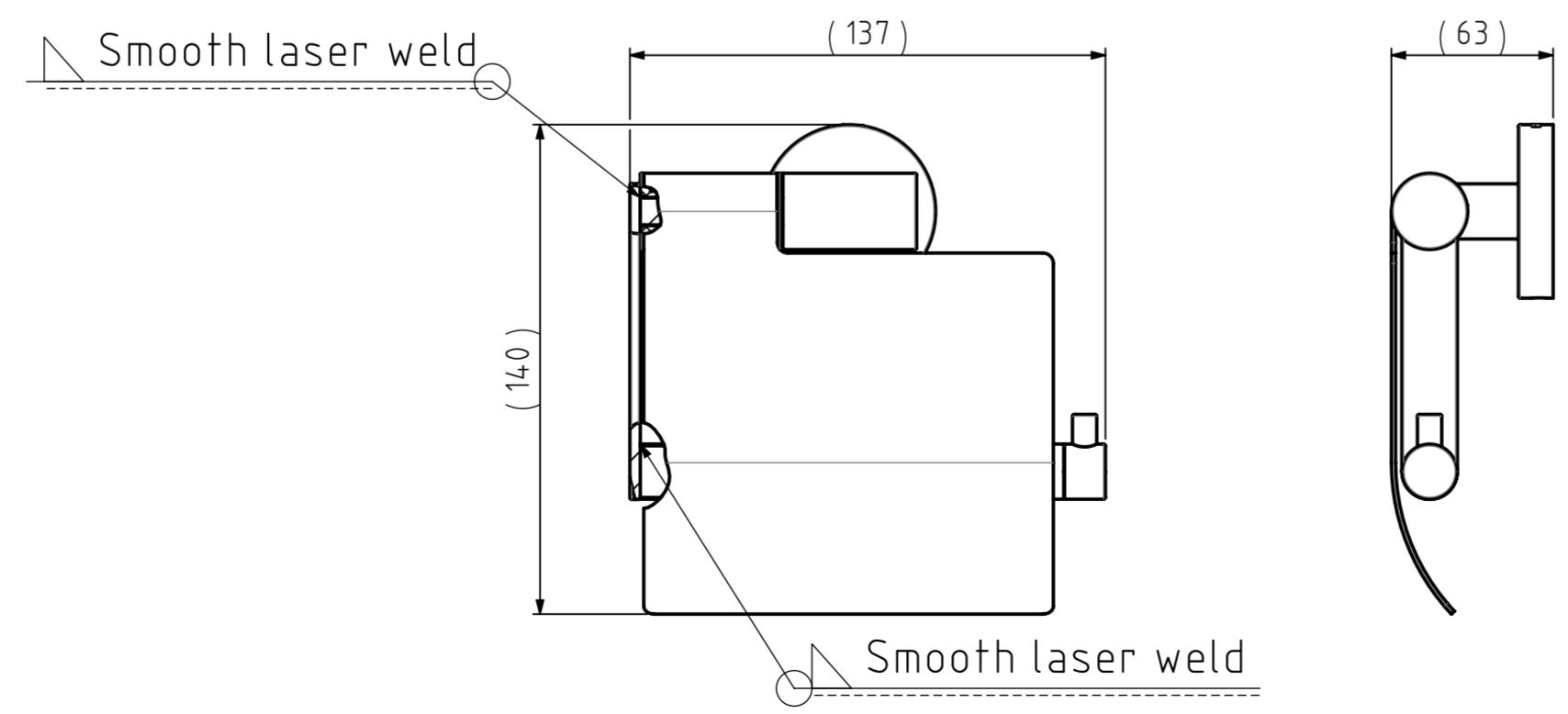


# FINAL DRAWING

REVISIONS				
REV.	DESCRIPTION	DATE	BY	APPROVED
1	COMPLETE CONSTRUCTION REVISED	8-2-2010	FH	-
2	DRAWING NO. POS. 01 MODIFIED	16-8-2010	FH	-
3	Screw length changed from 12mm too 15mm, 040.08.12 dimensions changed.	1-5-2014	MS	WW
4	- 040.01.02 Wall bracket 2 replaced by 226.01.01 Wallplate Type 1. - Screws, plugs and L-tool added to assembly drawing. - Black version created.	5-10-2017	MS	WW



NR.	DESCRIPTION	CHROO M/QTY	DRAW.NR.	MATERIAL	TREATMENT
20	2mm Hexagonal L-tool	1	DIN.911	Tool steel	-
19	Fischer UX6 plug	2	FIX.0028	-	-
18	Cross recessed pan head tapping screw st4,2x45mm	2	DIN.7981 CZ	Stainless steel A2	-
17	SELF PREVAILING NUT, M6	1	DIN.0985	Stainless steel A2	-
16	HEX. SOCKET SET SCREW WITH CONE POINT, M4x8mm	1	DIN.0914	Stainless steel A2	-
15	HEXAL. THREAD FORMING R. CHEESE HEAD SCREW FOR PLASTIC, ST5x15mm	1	FIX.0008	STEEL	ZINC PLATED
14	Wallplate Type 1	1	226.03.02	Stainless steel AISI 304	Sand blasted
13	Hook	1	040.10.04	Stainless steel AISI 304	Polished - High gloss
12	Hook cap	1	040.10.02	Stainless steel AISI 304	Polished - High gloss
11	Insert hinge part	1	040.08.14	Stainless steel AISI 304	-
10	Support tube D	1	040.08.13	Stainless steel AISI 304	Polished - High gloss
9	Wall support	1	040.08.12	Zamac3	Chromium Plated
8	ARM HOLDER	1	040.08.09	ZAMAC	CHROMIUM PLATED
7	CENTERPIECE B	1	040.08.08	POM GF20	ANTRACITE PANTONE 432C
6	Centerpiece cover	1	040.08.07	Stainless steel AISI 304	Polished - High gloss
5	Sleeve B	2	040.08.06	PA 6 - Black RAL 9005, semi gloss	Technical Smooth
4	Lid	1	040.08.03	Stainless steel AISI 304	Polished - High gloss
3	Arm	1	040.08.02	Stainless steel AISI 304	Polished - High gloss
2	Hinge support	1	040.08.01	Stainless steel AISI 304	Polished - High gloss
1	Cover	1	040.01.03	Stainless steel AISI 304	Polished - High gloss



GENERAL DIMENSION UNLESS OTHERWISE STATED ACCORDING TO DIN 7168		DESCRIPTION:	
CLASS	NOMINAL MEASUREMENTS (mm)	Toilet roll holder with lid	
0.5 UNTIL 3	±0.1	VERSION NAME: chrome	
3 UNTIL 6	±0.1		
6 UNTIL 30	±0.2	ARTICLE NR.: 30913.03.46	
30 UNTIL 120	±0.3		
120 UNTIL 400	±0.5	PROJECT: 040-Boston	
400 UNTIL 1000	±0.8		
1000 UNTIL 2000	±1.2	DRAWING NR.: 040.08.00.TC	
2000 UNTIL 4000	±2		
PROJECTION:		GENERAL ANGLE: ±0.5°	
EAN: 4008913091418		PROJECT: 040-Boston	
DRAWN BY: MS		GENERAL ROUGHNESS: 0.8	
CHECKED BY: F.H.		UNITS: mm	
DATE: 23-8-2006		SCALE: 1:2	
STATUS: Production		FORMAT: A2	
PRINT DATE: 3-10-2024		SHEET: 1/3	
INT.REV.NR.: 03		TIGER	

The reproduction, distribution and utilization of this document as well as the communication of its contents to others without express authorization is prohibited. Offenders will be held liable for the payment of damages. All rights reserved in the event of the grant of a patent, utility model or design. Copyright reserved.

**TIGER**  
Tiger Products b.v.  
Winde 3, PO box 11  
5660 AA Geldrop  
The Netherlands