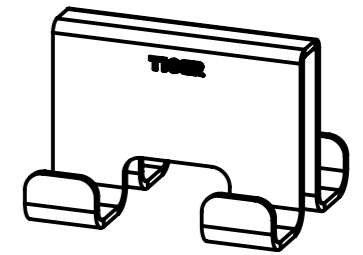
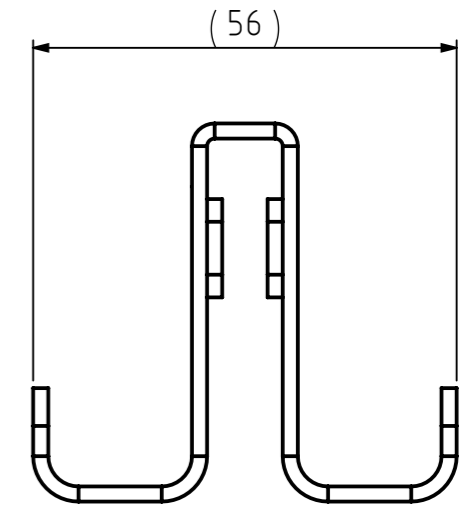
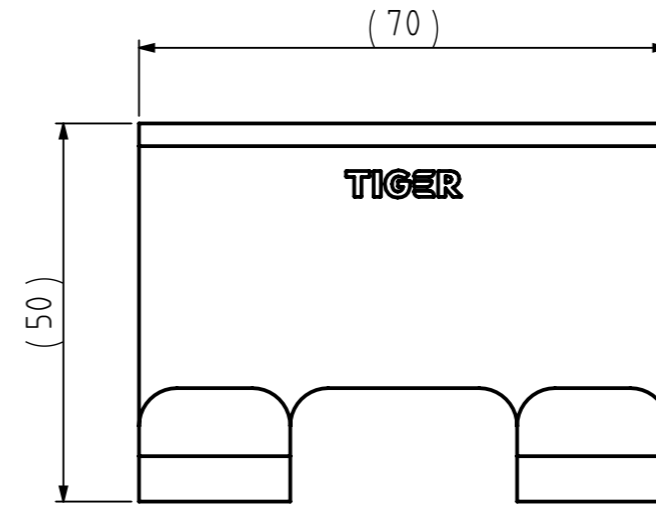
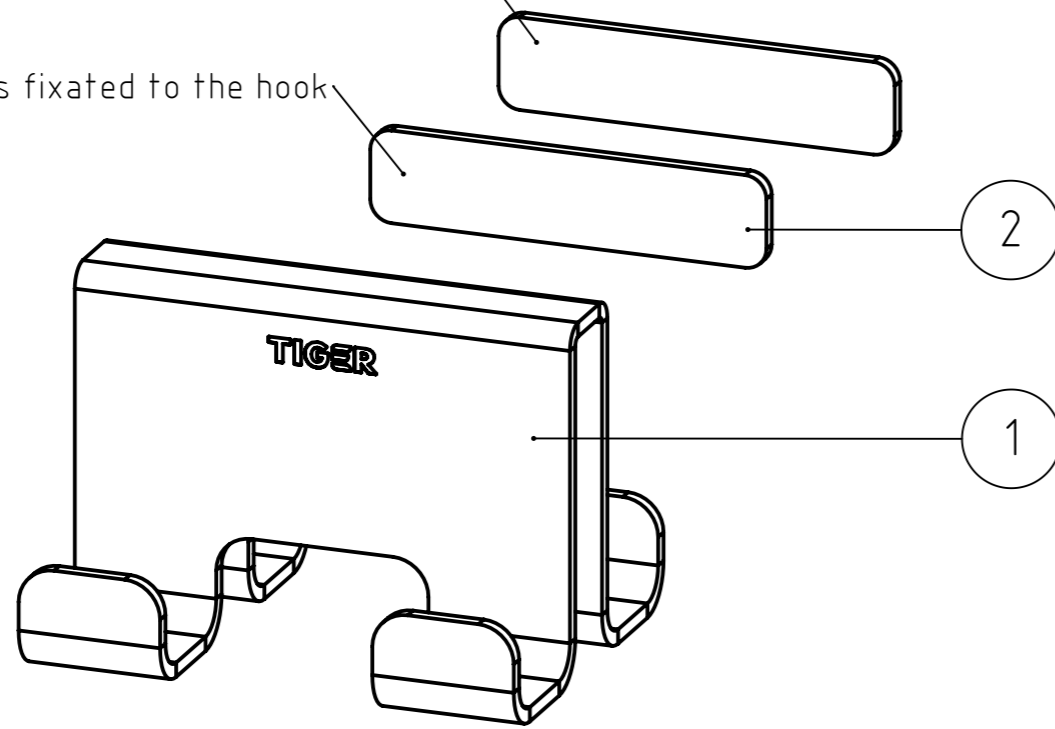


FINAL DRAWING

other pad is included in the packaging
 front pad is fixated to the hook



2	Protection pad	2	207.09.02	Silicone rubber, Grey, 60 Shore A, with 3M tape	One side adhesive	
1	Glass hook double	1	207.11.01	Stainless steel 304	Brushed	
NR.	DESCRIPTION	QTY.	DRAW.NR.	MATERIAL	TREATMENT	
GENERAL DIMENSION UNLESS OTHERWISE STATED ACCORDING TO DIN 7168			DESCRIPTION:			
CLASS	NOMINAL MEASUREMENTS (mm)					
	0.5 UNTIL 3	3 UNTIL 6	6 UNTIL 30	30 UNTIL 120	120 UNTIL 400	400 UNTIL 1000
M (MIDDLE)	±0.1	±0.1	±0.2	±0.3	±0.5	±0.8
PROJECTION:	GENERAL ANGLE:		EAN:			VERSION NAME:
	±0,5°		8720553010388			Stainless steel
DRAWN BY:	FS	GENERAL ROUGHNESS:		0,8/√		PROJECT:
CHECKED BY:	MS					207-Caddy
DATE:	3-4-2020	UNITS:		mm		DRAWING NR.:
STATUS:	Production	SCALE:		1:1		207.11.00TS
PRINT DATE:	8-4-2025	FORMAT:		A3		TIGER Tiger Nederland b.v. Winde 3, PO box 11 5660 AA Geldrop The Netherlands
INT.REV.NR.:	00	SHEET:		1/3		