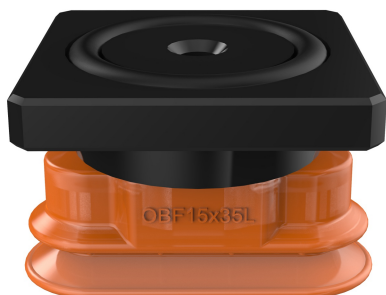


# Suction cup OBF15x35P L Polyurethane 60, T-slot

Article number: 0207592



- Special designed friction cups for oily surfaces, such as sheets in metal forming processes.
- Normal wear on friction cup will not affect the long term shear force performance.
- Best choice if > 0,1g/m2 press oil is used on the sheet.
- Thanks to the strong grip on oily surfaces, the suction cups can withstand high shear forces, typically 2–4 times more than corresponding conventional suction cups.
- The small "OBF" cups are suitable for narrow objects with curved or flat surfaces and small gripping areas, such as those encountered with body parts in the automotive industry.
- Can handle objects with minor height differences.
- Available in a high (H) version, suitable for picking on narrow submerged surfaces, where a wider fitting otherwise will interfere with the object. Examples are frames and structural parts for the car.
- DURAFLEX® suction cups manufactured in a specially developed material that features the elasticity of rubber and wear resistance of polyurethane. The material does not leave any marks on the objects handled.

## Technical data

| Description             | Unit            | Value                        |
|-------------------------|-----------------|------------------------------|
| Suction cup shape       | -               | Bellows                      |
| Application             | -               | Oily sheet metal             |
| Suction cup design      | -               | Oval                         |
| Characteristics         | -               | Oily sheet metal             |
| Material                | -               | Polyurethane (PU)            |
| Weight, min.            | g               | 24                           |
| Suction cup model       | -               | OBF                          |
| Volume                  | cm <sup>3</sup> | 1.3                          |
| Height                  | mm              | 23.4                         |
| Length                  | mm              | 36                           |
| Fitting size            | -               | None                         |
| Fitting option          | -               | None                         |
| Fitting style           | -               | T-slot                       |
| Fitting type            | -               | None                         |
| Width                   | mm              | 15                           |
| Length, actuated        | mm              | 36.5                         |
| Width, actuated         | mm              | 15                           |
| Material                | -               | Al                           |
| Suction cup model       | -               | OBF15x35P L Oily metal sheet |
| Movement, vertical max. | mm              | 2.9                          |
| Curve radius, min.      | mm              | 20                           |
| Suction cup model       | -               | OBF15x35P L Dry metal sheet  |
| Movement, vertical max. | mm              | 2.9                          |
| Curve radius, min.      | mm              | 20                           |

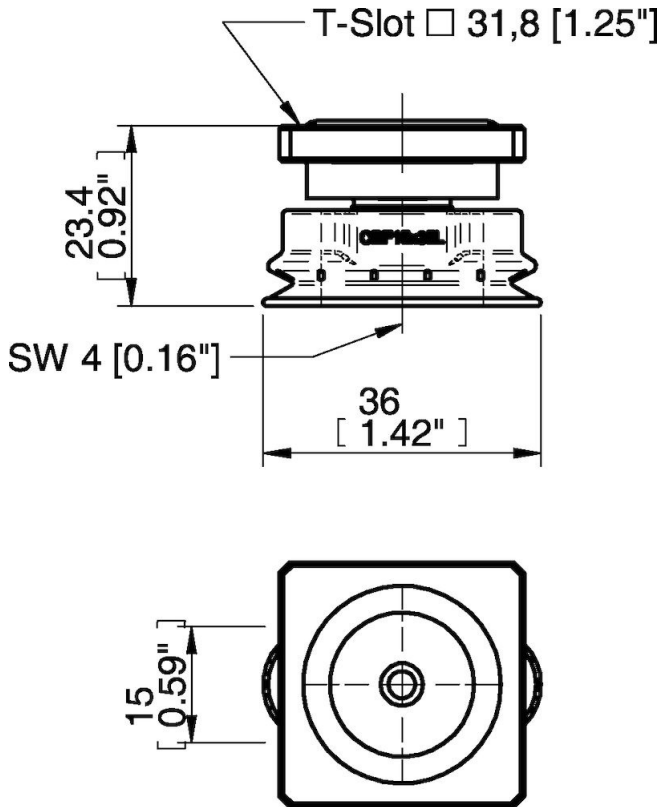
## Performance - Lifting forces

|                              |              |              |
|------------------------------|--------------|--------------|
| OBF15x35P L Oily metal sheet | Vertical (N) | Parallel (N) |
| 60 -kPa                      | 19           | 5            |
| 90 -kPa                      | 24           | 6            |
| OBF15x35P L Dry metal sheet  |              |              |
| 60 -kPa                      | 25           | 21           |
| 90 -kPa                      | 31           | 25           |

|                        |                     |
|------------------------|---------------------|
| <b>Material</b>        |                     |
| Name                   | Polyurethane (PU60) |
| Colour                 | Orange              |
| Temperature, min.   °C | 10                  |
| Temperature max.   °C  | 50                  |
| Hardness   °Shore A    | 60                  |

|                            |           |
|----------------------------|-----------|
| <b>Material resistance</b> |           |
| Alcohol                    | n/a       |
| Concentrated acids         | Fair      |
| Ethanol                    | Fair      |
| Hydrolysis                 | Fair      |
| Methanol                   | Poor      |
| Oil                        | Excellent |
| Oxidation                  | Poor      |
| Petrol                     | Fair      |
| Wear resistance            | Excellent |
| Weather and ozone          | Excellent |

**Dimensional drawings**



**Values specified in this data sheet are tested at (unless otherwise stated):**

- Room temperature (20°C [68°F] ± 3°C [5.5°F]).
- Standard atmosphere (101.3 [29.9 inHg] ± 1.0 kPa [0.3 inHg]).
- Relative humidity 20-70%.
- Compressed air quality, DIN ISO 8573-1 class 4.