

# Suction cup B30MF Thermoelastic polyurethane, 1/8" NPSF female, with dual flow control valve

Article number: 0101450



- Suction cup of TPU, a mark free material that leaves no trace on the object being handled.
- Suitable for level adjustment.
- Lifting movement to separate small and thin objects.
- Only lightweight objects should be handled when the lifting force is parallel to the surface.

## Technical data

Description	Unit	Value
Suction cup shape	-	Bellows
Application	-	Mark Free
Suction cup design	-	Round
Characteristics	-	Mark free
Material	-	TPE
Weight, min.	g	7
Suction cup model	-	B-MF
Volume	cm <sup>3</sup>	10
Leakage flow, max.	nl/s	0.13
Height	mm	34
Outer diameter, min.	mm	35.2
Outer diameter, actuated	mm	39.1
Fitting size	-	1/8"
Fitting option	-	Dual flow control valve
Fitting style	-	Female
Fitting type	-	NPSF-thread
Valve restriction	mm	0.9
Suction cup model	-	B30MF
Movement, vertical max.	mm	12.4
Curve radius, min.	mm	16.5

## Performance - Lifting forces

B30MF	Vertical (N)	Parallel (N)
20 -kPa	12	14.5
60 -kPa	40	32
90 -kPa	54.5	41

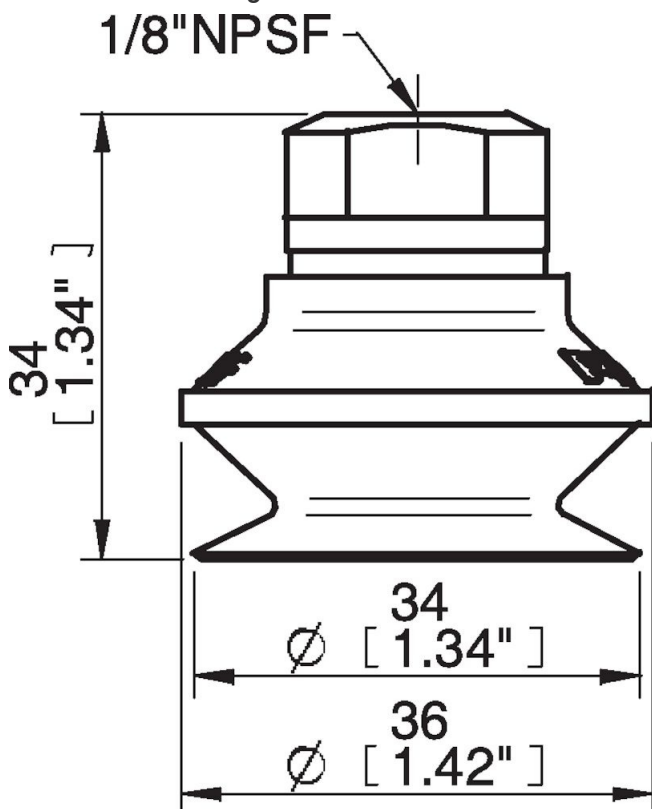
## Material

Name	Thermoplastic Polyurethane (TPE-U)
Colour	White transparent
Temperature, min.   °C	-20
Temperature max.   °C	80
Hardness   °Shore A	81

## Material resistance

Alcohol	Good
Concentrated acids	Poor
Ethanol	n/a
Hydrolysis	Poor
Methanol	n/a
Oil	Excellent
Oxidation	Good
Petrol	Poor
Wear resistance	Excellent
Weather and ozone	Excellent

## Dimensional drawings



## Values specified in this data sheet are tested at (unless otherwise stated):

- Room temperature (20°C [68°F] ± 3°C [5.5°F]).
- Standard atmosphere (101.3 [29.9 inHg] ± 1.0 kPa [0.3 inHg]).
- Relative humidity 20-70%.
- Compressed air quality, DIN ISO 8573-1 class 4.

## Accessories

- 0100261 | Fitting 5x1/8" NPSF female, 30–40
- 0101153 | Fitting 1/8" NPSF female, 30–40, with mesh filter
- 3250005 | Fitting 1/8" NPSF female, 30–40
- 3250086 | Fitting G3/8" male, 30–40, with mesh filter
- 3250089 | Fitting 3/8" NPT male, with mesh filter
- 3250091 | Fitting G1/4" male, 30–40, with mesh filter
- 3250093 | Fitting 1/4" NPT male, with mesh filter
- 3251007 | Fitting G1/4" male, 30–40, with mesh filter and dual flow control valve
- 3251008 | Fitting 1/4" NPT male, with dual flow control valve
- 3251009 | Fitting G3/8" male, 30–40, with mesh and dual flow control valve
- 3251010 | Fitting 3/8" NPT male, with dual flow control valve
- 3251011 | Fitting 5x1/8" NPSF female, 30–40, with dual flow control valve

## Spare parts

0101112 | Suction cup B30MF Thermoelastic polyurethane

3251006 | Fitting 1/8" NPSF female, 30–40, with dual flow control valve