

Suction cup B150 Silicone, G1/2" female AI, with mesh filter

Article number: 3150031S



- Suitable for level adjustment. Several short bellows in one lifting device can handle objects with height differences and varying shapes, for example embossed or corrugated plates.
- The lifting movement can be used to separate small and thin objects.
- Only lightweight objects should be handled when the lifting force is parallel to the surface of the object, in order to achieve good precision and safe lifting movement.

Technical data

Description	Unit	Value
Suction cup shape	-	Bellows
Application	-	Dry sheet metal, Plastic injection molded parts
Suction cup design	-	Round
Characteristics	-	Dry sheet metal, Plastic injection molded parts
Material	-	Silicone (SIL)
Weight, min.	g	265
Suction cup model	-	B
Volume	cm ³	650
Height	mm	78.3
Outer diameter, min.	mm	155
Fitting size	-	1/2"
Fitting option	-	Filter mesh
Fitting style	-	Female
Fitting type	-	G-thread
Suction cup model	-	B150
Movement, vertical max.	mm	46.6
Curve radius, min.	mm	75

Performance - Lifting forces

B150	Vertical (N)	Parallel (N)
20 -kPa	294	
60 -kPa	686	
90 -kPa	883	

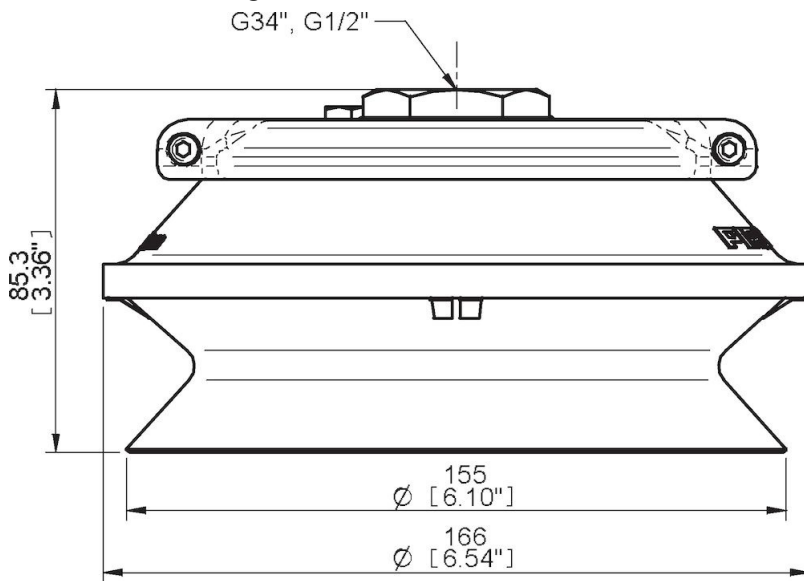
Material

Name	Silicone, SIL 50° Shore A
Colour	Red
Temperature, min. °C	-40
Temperature max. °C	200
Hardness °Shore A	50

Material resistance

Alcohol	Good
Concentrated acids	Poor
Ethanol	n/a
Hydrolysis	Fair
Methanol	n/a
Oil	Poor
Oxidation	Excellent
Petrol	Poor
Wear resistance	Good
Weather and ozone	Excellent

Dimensional drawings



Values specified in this data sheet are tested at (unless otherwise stated):

- Room temperature (20°C [68°F] ± 3°C [5.5°F]).
- Standard atmosphere (101.3 [29.9 inHg] ± 1.0 kPa [0.3 inHg]).
- Relative humidity 20-70%.
- Compressed air quality, DIN ISO 8573-1 class 4.

Accessories

- 0100567 | Fitting 150, G3/4" female, with mesh filter
- 3150036P | Suction cup B150 Nitrile-PVC
- 3250008 | Fitting G1/2" female Al, with mesh filter
- 3150109S | Suction cup B150 Silicone
- 3150109P | Suction cup B150 Nitrile-PVC

Spare parts

- 0100564 | Fitting 150, G1/2" female, with mesh filter
- 3150109S | Suction cup B150 Silicone