

Suction cup B8 HNBR, M5 male

Article number: 9912094



- Lifting movement to separate small and thin objects.
- Only lightweight objects should be handled when the lifting force is parallel to the surface.
- Suitable for level adjustment.
- Suction cups of conductive silicone and semi-conductive EPDM are suitable for objects with sensitivity to static electricity.

Technical data

Description	Unit	Value
Suction cup shape	-	Bellows
Application	-	Dry sheet metal, Electronic / semiconductor, Glass handling, High/low temp cup (plastic), Plastic injection molded parts, Mark Free
Suction cup design	-	Round
Characteristics	-	Dry sheet metal, Electronic / semiconductor, Glass handling, High/low temp cup (plastic), Plastic injection molded parts, Mark free
Material	-	HNBR
Weight, min.	g	0.3
Suction cup model	-	B
Volume	cm ³	0.15
Height	mm	19.4
Outer diameter, min.	mm	8.8
Outer diameter, actuated	mm	9.6
Fitting size	-	None
Fitting option	-	None
Fitting style	-	Male
Fitting type	-	M-thread
Suction cup model	-	B8
Movement, vertical max.	mm	3.5
Curve radius, min.	mm	1.9

Performance - Lifting forces

B8	Vertical (N)	Parallel (N)
20 -kPa	0.8	
60 -kPa	1.6	
90 -kPa	2.5	

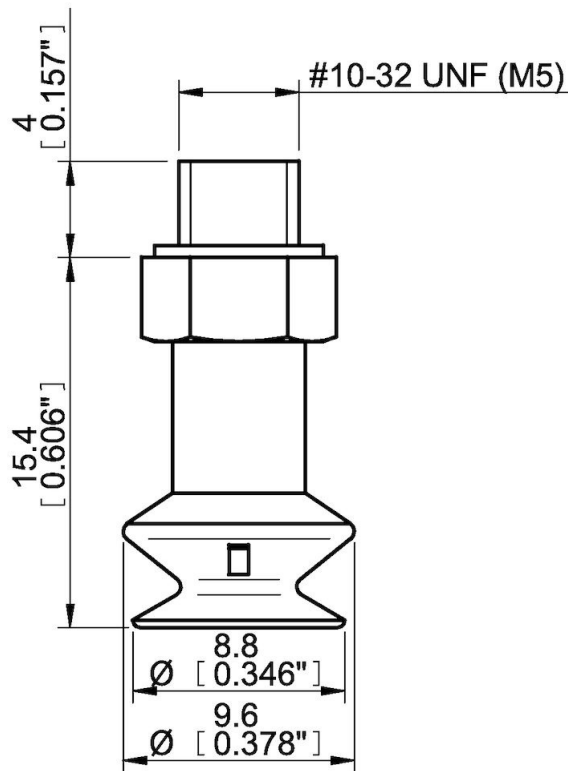
Material

Name	HNBR 50° Shore A
Colour	Blue
Temperature, min. °C	-30
Temperature max. °C	140
Hardness °Shore A	50

Material resistance

Alcohol	Good
Concentrated acids	Fair
Ethanol	n/a
Hydrolysis	Good
Methanol	n/a
Oil	Excellent
Oxidation	Excellent
Petrol	Excellent
Wear resistance	Excellent
Weather and ozone	Excellent

Dimensional drawings



Values specified in this data sheet are tested at (unless otherwise stated):

- Room temperature (20°C [68°F] ± 3°C [5.5°F]).
- Standard atmosphere (101.3 [29.9 inHg] ± 1.0 kPa [0.3 inHg]).
- Relative humidity 20-70%.
- Compressed air quality, DIN ISO 8573-1 class 4.

Accessories

- 3150287 | Suction cup B8 Chloroprene
- 3150287S | Suction cup B8 Silicone
- 3150287SC | Suction cup B8 Conductive silicone

Spare parts

- 0200894 | Suction cup B8 HNBR
- 3107031 | Fitting M5 male, 5–8