

Suction cup BX75P Polyurethane 60 with filter, thread insert G1/8" male

Article number: 0201083



- Suitable for level adjustment and for uneven and porous surfaces such as cardboard, etc.
- In the two-coloured suction cup the bellows and the sealing lip are of different hardnesses, which makes the suction cup strong and stable and, at the same time, soft and flexible.
- DURAFLEX® suction cups manufactured in a specially developed material that features the elasticity of rubber and wear resistance of polyurethane.
- The material DURAFLEX® is mark free.

Technical data

Description	Unit	Value
Suction cup shape	-	Multibellows
Application	-	Dry sheet metal, Corrugated / cardboard, Plastic injection molded parts, Mark Free
Suction cup design	-	Round
Characteristics	-	Dry sheet metal, Corrugated / cardboard, Plastic injection molded parts, Mark free
Material	-	Polyurethane (PU)
Weight, min.	g	71
Suction cup model	-	BX-P
Volume	cm ³	80
Height	mm	60.1
Outer diameter, min.	mm	77.5
Fitting size	-	1/8"
Fitting option	-	Filter
Fitting style	-	Male
Fitting type	-	G-thread
Suction cup model	-	BX75P PU60
Movement, vertical max.	mm	26
Curve radius, min.	mm	23

Performance - Lifting forces

BX75P PU60	Vertical (N)	Parallel (N)
20 -kPa	70	50
60 -kPa	120	114
90 -kPa	166	150

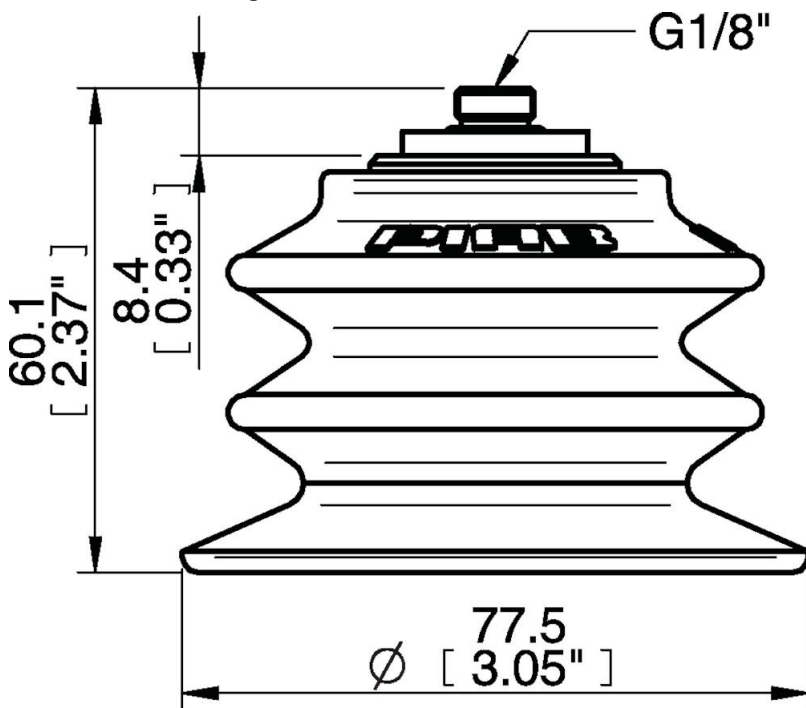
Material

Name	Polyurethane (PU60)
Colour	Green transparent
Temperature, min. °C	10
Temperature max. °C	50
Hardness °Shore A	60

Material resistance

Alcohol	n/a
Concentrated acids	Fair
Ethanol	Fair
Hydrolysis	Fair
Methanol	Poor
Oil	Excellent
Oxidation	Poor
Petrol	Fair
Wear resistance	Excellent
Weather and ozone	Excellent

Dimensional drawings



Values specified in this data sheet are tested at (unless otherwise stated):

- Room temperature (20°C [68°F] ± 3°C [5.5°F]).
- Standard atmosphere (101.3 [29.9 inHg] ± 1.0 kPa [0.3 inHg]).
- Relative humidity 20-70%.
- Compressed air quality, DIN ISO 8573-1 class 4.

Accessories

- 0106797 | Thread insert G3/8" male, with O-ring
- 0107145 | Suction cup BX75P Polyurethane 30/60 with filter, for thread insert
- 0201077 | Thread insert G1/4" male, with O-ring and mesh filter

Spare parts

- 0107150 | Suction cup BX75P Polyurethane 60 with filter, for thread insert
- 0200716 | Thread insert G1/8" male, with O-ring and mesh filter
- 0201003 | Suction cup filter BX75P, 10 pcs