

# Suction cup F30-2 Chloroprene, G1/8" male, with mesh filter and dual flow control valve

Article number: 0101332



- Suitable for flat objects.
- Good stability and little inherent movement.
- Recommended when the lifting force is parallel to the surface of the object.
- Cleats prevent thin, sensitive objects from being deformed and gives extra friction when the lifting force is parallel.

## Technical data

Description	Unit	Value
Suction cup shape	-	Flat
Application	-	Dry sheet metal
Suction cup design	-	Round
Characteristics	-	Dry sheet metal
Material	-	Chloroprene (CR)
Weight, min.	g	2.2
Suction cup model	-	F
Volume	cm <sup>3</sup>	2
Leakage flow, max.	l/s	0.06
Height	mm	22.4
Outer diameter, min.	mm	32
Outer diameter, actuated	mm	32.6
Fitting size	-	1/8"
Fitting option	-	Dual flow control valve, Filter mesh
Fitting style	-	Male
Fitting type	-	G-thread
Valve restriction	mm	0.7
Restricted vacuum flow	l/s	0.7
Suction cup model	-	F30-2
Movement, vertical max.	mm	2.8
Curve radius, min.	mm	25

## Performance - Lifting forces

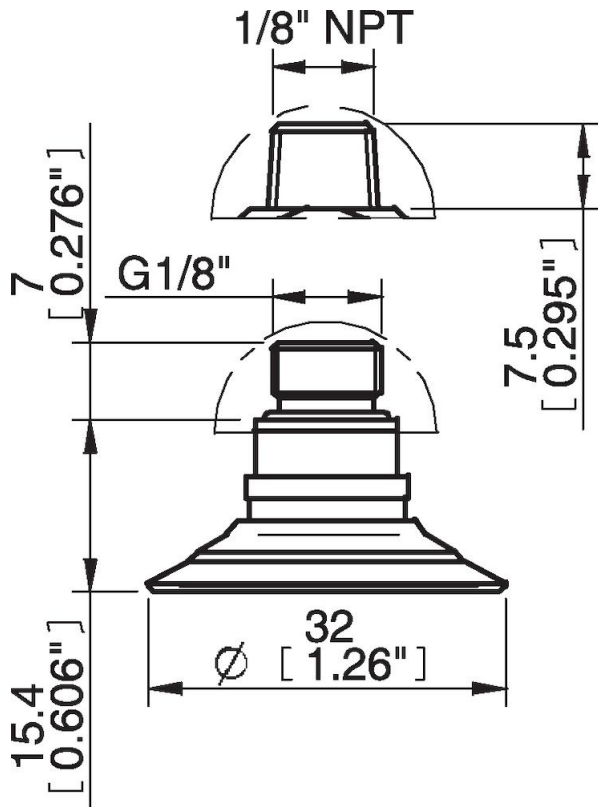
F30-2	Vertical (N)	Parallel (N)
20 -kPa	12	11
60 -kPa	25	16
90 -kPa	31	20

**Material**

Name	Chloroprene (CR) 50° Shore A
Colour	Black
Temperature, min.   °C	-40
Temperature max.   °C	110
Hardness   °Shore A	50

**Material resistance**

Alcohol	Good
Concentrated acids	Poor
Ethanol	n/a
Hydrolysis	Good
Methanol	n/a
Oil	Fair
Oxidation	Good
Petrol	Fair
Wear resistance	Excellent
Weather and ozone	Good

**Dimensional drawings**

Values specified in this data sheet are tested at (unless otherwise stated):

- Room temperature (20°C [68°F] ± 3°C [5.5°F]).
- Standard atmosphere (101.3 [29.9 inHg] ± 1.0 kPa [0.3 inHg]).
- Relative humidity 20-70%.
- Compressed air quality, DIN ISO 8573-1 class 4.

**Accessories**

0100260 | Fitting 5xM5 female  
0101134 | Suction cup F30-2 Silicone  
0101152 | Fitting G1/8" male/M5 female, with mesh filter  
0101155 | Fitting G1/8" male/M5 female, with cone valve  
3150196 | Fitting G1/8" male/M5 female, PA  
3250003 | Fitting M5 female  
3250004 | Fitting G1/8" male/M5 female  
3250085 | Fitting G1/8" male, with mesh filter  
3250088 | Fitting 1/8" NPT male, with mesh filter  
3251001 | Fitting M5 female, with dual flow control valve  
3251003 | Fitting 1/8" NPT male, with dual flow control valve  
3251004 | Fitting G1/8" male/M5 female, with dual flow control valve  
3251005 | Fitting 5xM5 female, with dual flow control valve  
3150239 | Suction cup F30-2 Chloroprene, for fitting with cone valve  
3150239S | Suction cup F30-2 Silicone, for fitting with cone valve

**Spare parts**

0101133 | Suction cup F30-2 Chloroprene