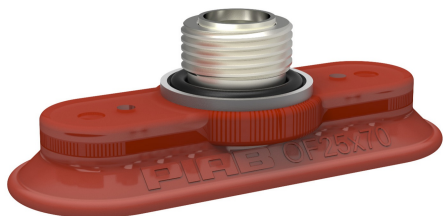


Suction cup OF25x70P Polyurethane 40, G3/8" male

Article number: 0115304



- Suitable for flat and rough surfaces.
- Fair stability and little inherent movement.
- Recommended when the lifting force is parallel to the surface of the object.
- Cleats prevent thin, sensitive objects from being deformed and give extra friction when the lifting force is parallel to the surface of the object.
- DURAFLEX® are suction cups manufactured in a specially developed material that features the elasticity of rubber and wear resistance of polyurethane. The material does not leave any marks on the objects handled.
- Swivel option, prior to the locking operation, for easy positioning of the oval cup.

Technical data

Description	Unit	Value
Suction cup shape	-	Flat
Application	-	Dry sheet metal, Corrugated / cardboard, Plastic injection molded parts
Suction cup design	-	Oval
Characteristics	-	Dry sheet metal, Corrugated / cardboard, Plastic injection molded parts
Material	-	Polyurethane (PU)
Weight, min.	g	19
Suction cup model	-	OF
Volume	cm ³	6
Height	mm	23
Length	mm	72.3
Outer diameter, min.	mm	72.3
Fitting size	-	3/8"
Fitting option	-	None
Fitting style	-	Male
Fitting type	-	G-thread
Width	mm	27.3
Suction cup model	-	OF25x70P PU40
Movement, vertical max.	mm	1.9
Curve radius, min.	mm	50

Performance - Lifting forces

OF25x70P PU40	Vertical (N)	Parallel (N)
20 -kPa	24	46
60 -kPa	66	90
90 -kPa	107	105

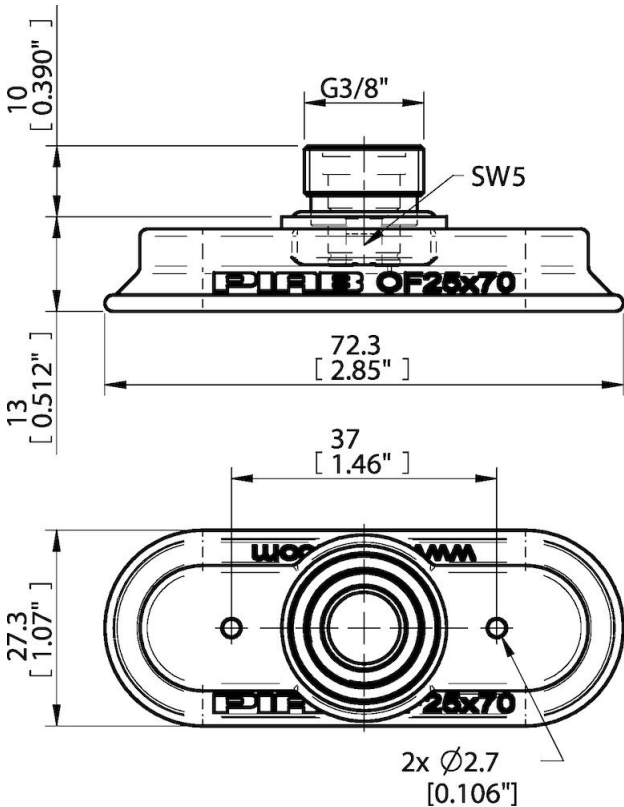
Material

Name	Polyurethane (PU40)
Colour	Red transparent
Temperature, min. °C	10
Temperature max. °C	50
Hardness °Shore A	40

Material resistance

Alcohol	n/a
Concentrated acids	Fair
Ethanol	Fair
Hydrolysis	Fair
Methanol	Poor
Oil	Excellent
Oxidation	Poor
Petrol	Fair
Wear resistance	Excellent
Weather and ozone	Excellent

Dimensional drawings



Values specified in this data sheet are tested at (unless otherwise stated):

- Room temperature (20°C [68°F] ± 3°C [5.5°F]).
- Standard atmosphere (101.3 [29.9 inHg] ± 1.0 kPa [0.3 inHg]).
- Relative humidity 20-70%.
- Compressed air quality, DIN ISO 8573-1 class 4.

Accessories

0115311 | Suction cup OF25x70P Polyurethane 60, G3/8" male