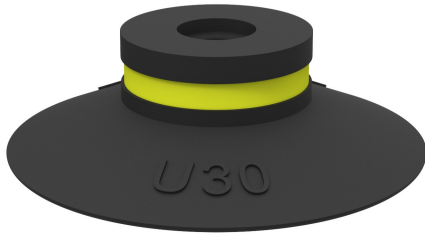


Suction cup U30 Nitrile-PVC

Article number: 0101146

- Suitable for objects with flat or slightly curved surfaces.
- Also used for concave objects.



Technical data

Description	Unit	Value
Suction cup shape	-	Universal
Application	-	Dry sheet metal, Plastic injection molded parts
Suction cup design	-	Round
Characteristics	-	Dry sheet metal, Plastic injection molded parts
Material	-	Nitrile-PVC (NPV)
Weight, min.	g	1.8
Suction cup model	-	U
Volume	cm ³	2
Height	mm	9.5
Outer diameter, min.	mm	32
Fitting size	-	None
Fitting option	-	None
Fitting style	-	None
Fitting type	-	None
Suction cup model	-	U30
Movement, vertical max.	mm	3.5
Curve radius, min.	mm	20

Performance - Lifting forces

U30	Vertical (N)	Parallel (N)
20 -kPa	12	7.8
60 -kPa	25	9.8
90 -kPa	30	11

Material

Name	Nitrile-PVC (NPV)
Colour	Black
Temperature, min. °C	0
Temperature max. °C	90
Hardness °Shore A	50

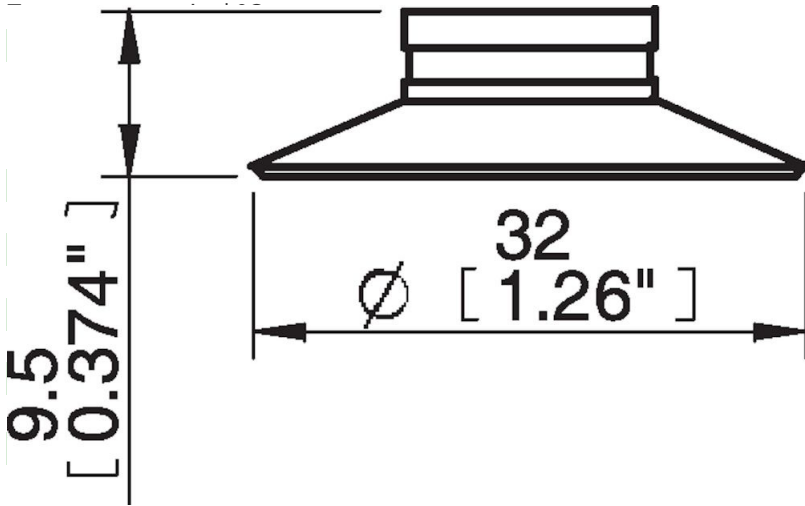
Material resistance

Alcohol	Good
Concentrated acids	Fair
Ethanol	n/a
Hydrolysis	Good
Methanol	n/a
Oil	Excellent
Oxidation	Good
Petrol	Excellent
Wear resistance	Excellent

Water and ozone

Name Nitrile-PVC (NPV)

Dimensional drawings



Good
Nitrile-PVC (NPV)
Black
0
90
50
Good
Fair
n/a
Good
n/a
Excellent
Good
Excellent
Excellent
Good

Values specified in this data sheet are tested at (unless otherwise stated):

- Room temperature (20°C [68°F] ± 3°C [5.5°F]).
- Standard atmosphere (101.3 [29.9 inHg] ± 1.0 kPa [0.3 inHg]).
- Relative humidity 20-70%.
- Compressed air quality, DIN ISO 8573-1 class 4.

Accessories

- 0100260 | Fitting 5xM5 female
- 0101152 | Fitting G1/8" male/M5 female, with mesh filter
- 3150196 | Fitting G1/8" male/M5 female, PA
- 3250003 | Fitting M5 female
- 3250004 | Fitting G1/8" male/M5 female
- 3250085 | Fitting G1/8" male, with mesh filter
- 3250088 | Fitting 1/8" NPT male, with mesh filter
- 3251001 | Fitting M5 female, with dual flow control valve
- 3251003 | Fitting 1/8" NPT male, with dual flow control valve
- 3251004 | Fitting G1/8" male/M5 female, with dual flow control valve
- 3251005 | Fitting 5xM5 female, with dual flow control valve