

Suction cup F-OB 30x60 Silicone, G1/8" male SS, detectable, FCM

Article number: 0205920



- The silicone material complies with FDA 21 CFR 177.2600 and EU 1935/2004.
- Long lasting high-end silicone material
- A low percentage metal additive (Fe) is mixed with the rubber material to make it detectable.
- Suitable for frozen and raw food.
- Excellent grip on oblong parts with irregular surfaces and different heights, even at fast speeds and accelerations
- Available with male threaded and integrated Acid proof Stainless steel fittings.
- Easy to clean with hygienic design. No dust/dirt pockets.
- Low vacuum level needed to collapse bellows. Reduces risk for damaging the handled food product

Technical data

Description	Unit	Value
Suction cup shape	-	Bellows
Application	-	Food contact materials (FDA & EU), detectable
Suction cup design	-	Oval
Characteristics	-	Food contact materials (FDA & EU), detectable
Material	-	Silicone (SIL)
Load, torque, max.	Nm	13
Weight, min.	g	51.1
Suction cup model	-	F-OB
Volume	cm ³	17.5
Height	mm	44.8
Length	mm	62
Fitting size	-	1/8"
Fitting option	-	None
Fitting style	-	Male
Fitting type	-	G-thread
Width	mm	32
Material	-	ASTM 316L
Suction cup model	-	F-OB 30x60
Movement, vertical max.	mm	10.9
Curve radius, min.	mm	11

Performance - Lifting forces

F-OB 30x60	Vertical (N)	Parallel (N)
10 -kPa	8	8.1
20 -kPa	17.2	13.4
40 -kPa	31.1	27.5

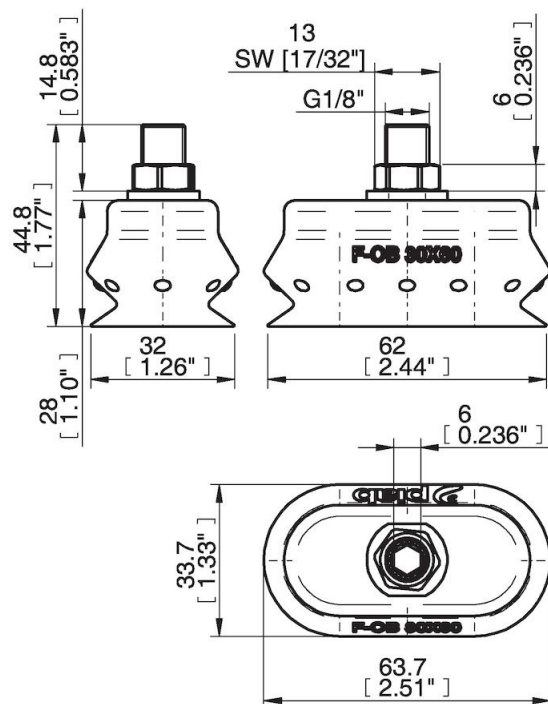
Material

Name	Silicone (SIL detectable FCM)
Colour	Blue
Temperature, min. °C	-40
Temperature max. °C	200
Hardness °Shore A	40

Material resistance

Alcohol	Good
Concentrated acids	Poor
Ethanol	n/a
Hydrolysis	Fair
Methanol	n/a
Oil	Poor
Oxidation	Excellent
Petrol	Poor
Wear resistance	Good
Weather and ozone	Excellent

Dimensional drawings



Values specified in this data sheet are tested at (unless otherwise stated):

- Room temperature (20°C [68°F] ± 3°C [5.5°F]).
- Standard atmosphere (101.3 [29.9 inHg] ± 1.0 kPa [0.3 inHg]).
- Relative humidity 20-70%.
- Compressed air quality, DIN ISO 8573-1 class 4.