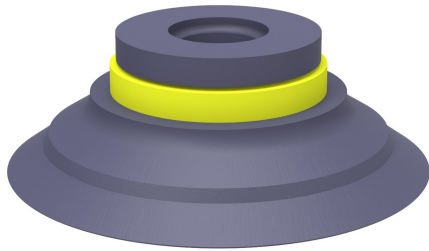


Suction cup F50-2 HNBR

Article number: 0108166



- Suitable for flat objects.
- Good stability and little inherent movement.
- Recommended when the lifting force is parallel to the surface of the object.
- Cleats prevent thin, sensitive objects from being deformed and gives extra friction when the lifting force is parallel.

Technical data

| Description | Unit | Value |
|--------------------------|-----------------|---|
| Suction cup shape | - | Flat |
| Application | - | Dry sheet metal, Plastic injection molded parts, Glass handling, High/low temp cup (plastic), Mark Free |
| Suction cup design | - | Round |
| Characteristics | - | Dry sheet metal, Plastic injection molded parts, Glass handling, High/low temp cup (plastic), Mark free |
| Material | - | HNBR |
| Weight, min. | g | 14 |
| Suction cup model | - | F |
| Volume | cm ³ | 10 |
| Height | mm | 17.5 |
| Outer diameter, min. | mm | 53 |
| Outer diameter, actuated | mm | 54.6 |
| Fitting size | - | None |
| Fitting option | - | None |
| Fitting style | - | None |
| Fitting type | - | None |
| Suction cup model | - | F50-2 |
| Movement, vertical max. | mm | 2.2 |
| Curve radius, min. | mm | 55 |

Performance - Lifting forces

| F50-2 | Vertical (N) | Parallel (N) |
|---------|--------------|--------------|
| 20 -kPa | 36 | 24 |
| 60 -kPa | 74 | 40 |
| 90 -kPa | 96 | 50 |

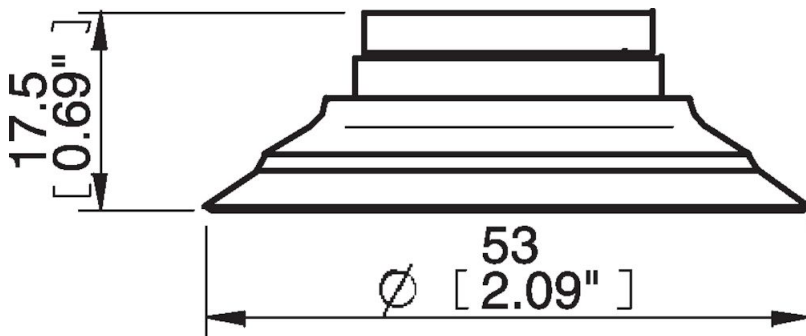
Material

| | |
|------------------------|------------------|
| Name | HNBR 75° Shore A |
| Colour | Blue/grey |
| Temperature, min. °C | -30 |
| Temperature max. °C | 140 |
| Hardness °Shore A | 75 |

Material resistance

| | |
|--------------------|-----------|
| Alcohol | Good |
| Concentrated acids | Fair |
| Ethanol | n/a |
| Hydrolysis | Good |
| Methanol | n/a |
| Oil | Excellent |
| Oxidation | Excellent |
| Petrol | Excellent |
| Wear resistance | Excellent |
| Weather and ozone | Excellent |

Dimensional drawings



Values specified in this data sheet are tested at (unless otherwise stated):

- Room temperature (20°C [68°F] ± 3°C [5.5°F]).
- Standard atmosphere (101.3 [29.9 inHg] ± 1.0 kPa [0.3 inHg]).
- Relative humidity 20-70%.
- Compressed air quality, DIN ISO 8573-1 class 4.

Accessories

- 0100262 | Fitting 5x1/8" NPSF female, 50
- 0101154 | Fitting 1/8" NPSF female, 50, with mesh filter
- 0101157 | Fitting 1/8" NPSF female, 50, with cone valve
- 3150198 | Fitting 1/8" NPSF female, 50, PA
- 3250017 | Fitting 1/8" NPSF female, 50
- 3250087 | Fitting G3/8" male, 50, with mesh filter
- 3250090 | Fitting 3/8" NPT male, with mesh filter
- 3250092 | Fitting G1/4" male, 50, with mesh filter
- 3250094 | Fitting 1/4" NPT male, with mesh filter
- 3251012 | Fitting 1/8" NPSF female, 50, with dual flow control valve
- 3251013 | Fitting G1/4" male, with mesh filter and dual flow control valve
- 3251014 | Fitting 1/4" NPT male, with dual flow control valve
- 3251015 | Fitting G3/8" male, 50, with mesh filter and dual flow control valve
- 3251016 | Fitting 3/8" NPT male, with dual flow control valve
- 3251017 | Fitting 5x1/8" NPSF female, 50, with dual flow control valve