

# Suction cup F40-2 Nitrile-PVC, 1/8" NPSF female, with mesh filter

Article number: 0101572



- Suitable for flat objects.
- Good stability and little inherent movement.
- Recommended when the lifting force is parallel to the surface of the object.
- Cleats prevent thin, sensitive objects from being deformed and gives extra friction when the lifting force is parallel.

## Technical data

Description	Unit	Value
Suction cup shape	-	Flat
Application	-	Dry sheet metal
Suction cup design	-	Round
Characteristics	-	Dry sheet metal
Material	-	Nitrile-PVC (NPV)
Weight, min.	g	5.5
Suction cup model	-	F
Volume	cm <sup>3</sup>	4.8
Height	mm	21
Outer diameter, min.	mm	42
Outer diameter, actuated	mm	43.7
Fitting size	-	1/8"
Fitting option	-	Filter mesh
Fitting style	-	Female
Fitting type	-	NPSF-thread
Suction cup model	-	F40-2
Movement, vertical max.	mm	1.8
Curve radius, min.	mm	52

## Performance - Lifting forces

F40-2	Vertical (N)	Parallel (N)
20 -kPa	20	15
60 -kPa	40	25
90 -kPa	50	30

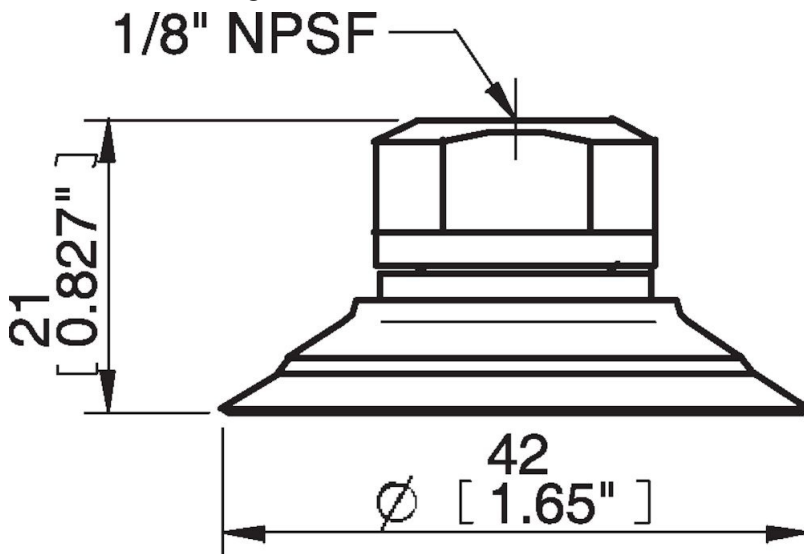
## Material

Name	Nitrile-PVC (NPV)
Colour	Black
Temperature, min.   °C	0
Temperature max.   °C	90
Hardness   °Shore A	50

## Material resistance

Alcohol	Good
Concentrated acids	Fair
Ethanol	n/a
Hydrolysis	Good
Methanol	n/a
Oil	Excellent
Oxidation	Good
Petrol	Excellent
Wear resistance	Excellent
Weather and ozone	Good

## Dimensional drawings



## Values specified in this data sheet are tested at (unless otherwise stated):

- Room temperature (20°C [68°F] ± 3°C [5.5°F]).
- Standard atmosphere (101.3 [29.9 inHg] ± 1.0 kPa [0.3 inHg]).
- Relative humidity 20-70%.
- Compressed air quality, DIN ISO 8573-1 class 4.

## Accessories

- 0100261 | Fitting 5x1/8" NPSF female, 30-40
- 0101136 | Suction cup F40-2 Silicone
- 0101156 | Fitting 1/8" NPSF female, 30-40, with cone valve
- 3150197 | Fitting 1/8" NPSF female, 30-40, PA
- 3250005 | Fitting 1/8" NPSF female, 30-40
- 3250086 | Fitting G3/8" male, 30-40, with mesh filter
- 3250089 | Fitting 3/8" NPT male, with mesh filter
- 3250091 | Fitting G1/4" male, 30-40, with mesh filter
- 3250093 | Fitting 1/4" NPT male, with mesh filter
- 3251006 | Fitting 1/8" NPSF female, 30-40, with dual flow control valve
- 3251007 | Fitting G1/4" male, 30-40, with mesh filter and dual flow control valve
- 3251008 | Fitting 1/4" NPT male, with dual flow control valve
- 3251009 | Fitting G3/8" male, 30-40, with mesh and dual flow control valve
- 3251010 | Fitting 3/8" NPT male, with dual flow control valve
- 3251011 | Fitting 5x1/8" NPSF female, 30-40, with dual flow control valve

## Spare parts

- 0101135 | Suction cup F40-2 Nitrile-PVC
- 0101153 | Fitting 1/8" NPSF female, 30-40, with mesh filter