

Suction cup D30-2 Silicone, G1/8" male, with mesh filter

Article number: 0101249



- Suitable for objects with curved or irregular surfaces.
- Grips around corners and edges.

Technical data

Description	Unit	Value
Suction cup shape	-	Deep
Application	-	Plastic injection molded parts
Suction cup design	-	Round
Characteristics	-	Plastic injection molded parts
Material	-	Silicone (SIL)
Weight, min.	g	4
Suction cup model	-	D
Volume	cm ³	5
Height	mm	31.2
Outer diameter, min.	mm	32
Fitting size	-	1/8"
Fitting option	-	Filter mesh
Fitting style	-	Male
Fitting type	-	G-thread
Suction cup model	-	D30-2
Movement, vertical max.	mm	18
Curve radius, min.	mm	13

Performance - Lifting forces

D30-2	Vertical (N)	Parallel (N)
20 -kPa	14	11.2
60 -kPa	26	16.8
90 -kPa	31	17.8

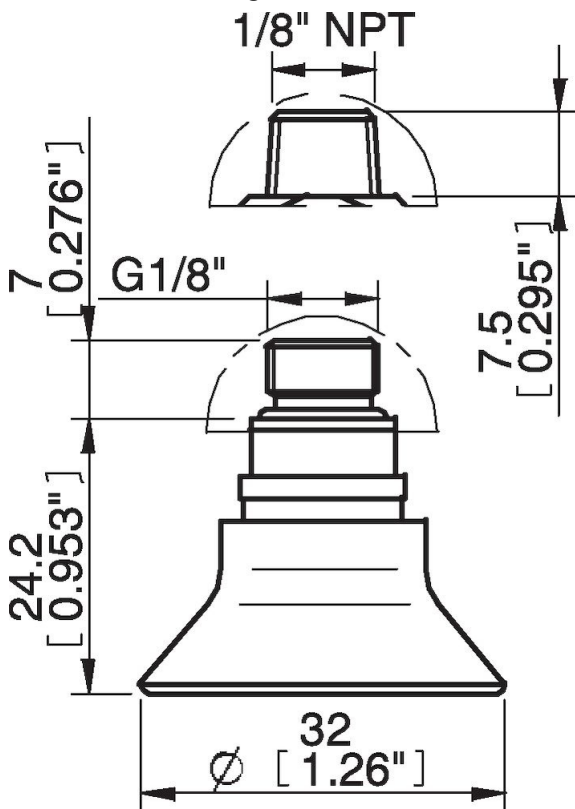
Material

Name	Silicone, SIL 50° Shore A
Colour	Red
Temperature, min. °C	-40
Temperature max. °C	200
Hardness °Shore A	50

Material resistance

Alcohol	Good
Concentrated acids	Poor
Ethanol	n/a
Hydrolysis	Fair
Methanol	n/a
Oil	Poor
Oxidation	Excellent
Petrol	Poor
Wear resistance	Good
Weather and ozone	Excellent

Dimensional drawings



Values specified in this data sheet are tested at (unless otherwise stated):

- Room temperature (20°C [68°F] ± 3°C [5.5°F]).
- Standard atmosphere (101.3 [29.9 inHg] ± 1.0 kPa [0.3 inHg]).
- Relative humidity 20-70%.
- Compressed air quality, DIN ISO 8573-1 class 4.

Accessories

- 0100260 | Fitting 5xM5 female
- 0101125 | Suction cup D30-2 Chloroprene
- 0101152 | Fitting G1/8" male/M5 female, with mesh filter
- 3150196 | Fitting G1/8" male/M5 female, PA
- 3250003 | Fitting M5 female
- 3250004 | Fitting G1/8" male/M5 female
- 3250088 | Fitting 1/8" NPT male, with mesh filter
- 3251001 | Fitting M5 female, with dual flow control valve
- 3251003 | Fitting 1/8" NPT male, with dual flow control valve
- 3251004 | Fitting G1/8" male/M5 female, with dual flow control valve
- 3251005 | Fitting 5xM5 female, with dual flow control valve

Spare parts

0101126 | Suction cup D30-2 Silicone

3250085 | Fitting G1/8" male, with mesh filter