

Suction cup OBF35x90P Polyurethane 55/60, G3/8" male, with mesh filter

Article number: 0119121



- Special designed friction cups for oily surfaces, such as sheets in metal forming processes.
- Normal wear on friction cup will not affect the long term shear force performance.
- Best choice if > 0,1g/m2 press oil is used on the sheet.
- Thanks to the strong grip on oily surfaces, the suction cups can withstand high shear forces, typically 2–4 times more than corresponding conventional suction cups.
- The "OBF" design is suitable for oblong objects with domed and flat surfaces, such as those encountered with body parts in the automotive industry.
- Can handle objects with height differences.
- Fitting option, male G3/8", with a swivel function prior to the locking operation, for easy positioning of the oval cup.
- DURAFLEX® suction cups manufactured in a specially developed material that features the elasticity of rubber and wear resistance of polyurethane. The material does not leave any marks on the objects handled.

Technical data

| Description | Unit | Value |
|-------------------------|-----------------|----------------------------|
| Suction cup shape | - | Bellows |
| Application | - | Oily sheet metal |
| Suction cup design | - | Oval |
| Characteristics | - | Oily sheet metal |
| Material | - | Polyurethane (PU) |
| Weight, max. | g | 97 |
| Weight, min. | g | 77 |
| Suction cup model | - | OBF |
| Volume | cm ³ | 36 |
| Height | mm | 28.5 |
| Length | mm | 105 |
| Fitting size | - | 3/8" |
| Fitting option | - | Filter mesh |
| Fitting style | - | Male |
| Fitting type | - | G-thread |
| Width (1) | mm | 50 |
| Suction cup model | - | OBF35x90P Dry metal sheet |
| Movement, vertical max. | mm | 11 |
| Curve radius, min. | mm | 30 |
| Suction cup model | - | OBF35x90P Oily steel plate |
| Movement, vertical max. | mm | 11 |
| Curve radius, min. | mm | 30 |

Performance - Lifting forces

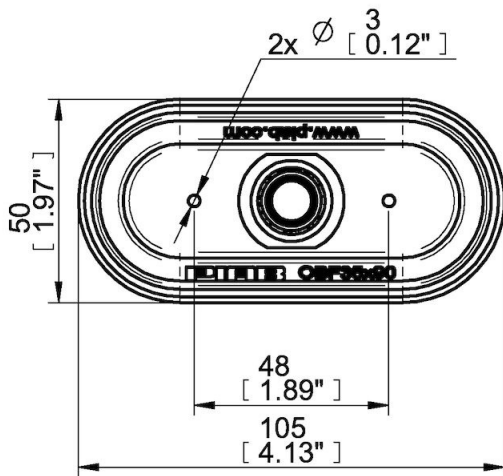
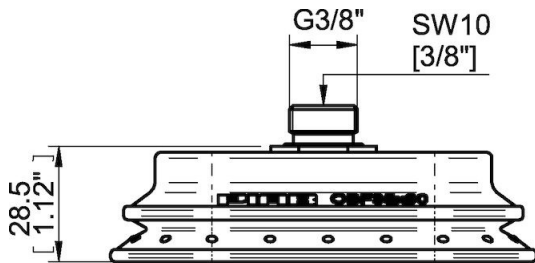
| OBF35x90P Dry metal sheet | Vertical (N) | Parallel (N) |
|----------------------------|--------------|--------------|
| 60 -kPa | 140 | 125 |
| 90 -kPa | 198 | 179 |
| OBF35x90P Oily steel plate | | |

| | | |
|---------------------------|--------------|--------------|
| OBF35x90P Dry metal sheet | Vertical (N) | Parallel (N) |
| 60 -kPa | 108 | 105 |
| 90 -kPa | 157 | 151 |

| Material | | |
|------------------------|---------------------|---------------------|
| Name | Polyurethane (PU55) | Polyurethane (PU60) |
| Colour | Orange | Green transparent |
| Temperature, min. °C | 10 | 10 |
| Temperature max. °C | 50 | 50 |
| Hardness °Shore A | 55 | 60 |

| Material resistance | | |
|---------------------|-----------|-----------|
| Alcohol | n/a | n/a |
| Concentrated acids | Fair | Fair |
| Ethanol | Fair | Fair |
| Hydrolysis | Fair | Fair |
| Methanol | Poor | Poor |
| Oil | Excellent | Excellent |
| Oxidation | Poor | Poor |
| Petrol | Fair | Fair |
| Wear resistance | Excellent | Excellent |
| Weather and ozone | Excellent | Excellent |

Dimensional drawings



Values specified in this data sheet are tested at (unless otherwise stated):

- Room temperature (20°C [68°F] ± 3°C [5.5°F]).
- Standard atmosphere (101.3 [29.9 inHg] ± 1.0 kPa [0.3 inHg]).
- Relative humidity 20-70%.
- Compressed air quality, DIN ISO 8573-1 class 4.