

Suction cup B75-2 Silicone, G1/2" female, with mesh filter

Article number: 0101861



- Suitable for level adjustment. Several short bellows in one lifting device can handle objects with height differences and varying shapes, for example embossed or corrugated plates.
- Lifting movement to separate small and thin objects.
- Only lightweight objects should be handled when the lifting force is parallel to the surface of the object, in order to achieve good precision and safe lifting movement.

Technical data

Description	Unit	Value
Suction cup shape	-	Bellows
Application	-	Dry sheet metal, Plastic injection molded parts
Suction cup design	-	Round
Characteristics	-	Dry sheet metal, Plastic injection molded parts
Material	-	Silicone (SIL)
Weight, min.	g	118
Suction cup model	-	B
Volume	cm ³	110
Height	mm	50
Outer diameter, min.	mm	79.5
Outer diameter, actuated	mm	87.8
Fitting size	-	1/2"
Fitting option	-	Filter mesh
Fitting style	-	Female
Fitting type	-	G-thread
Suction cup model	-	B75
Movement, vertical max.	mm	24
Curve radius, min.	mm	40

Performance - Lifting forces

B75	Vertical (N)	Parallel (N)
20 -kPa	74	62.4
60 -kPa	167	122.4
90 -kPa	226	154.1

Material

Name	Silicone, SIL 50° Shore A
Colour	Red
Temperature, min. °C	-40
Temperature max. °C	200
Hardness °Shore A	50

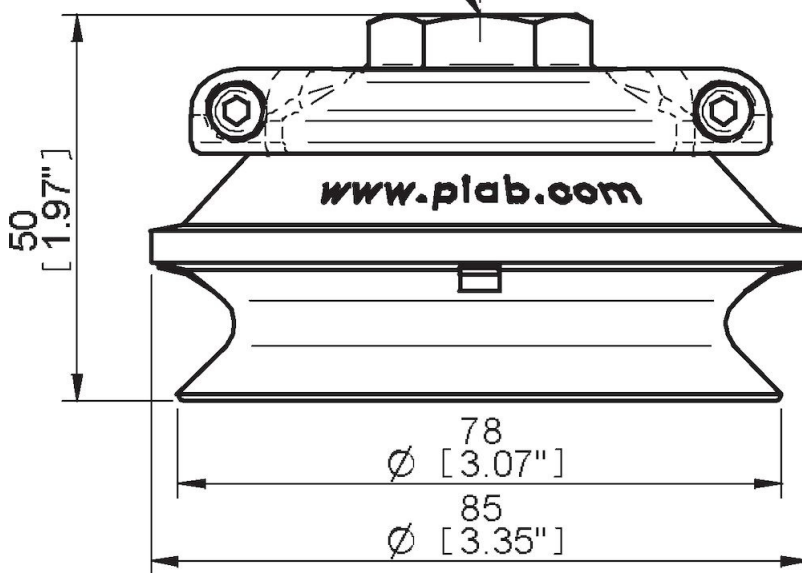
Material resistance

Alcohol	Good
Concentrated acids	Poor
Ethanol	n/a
Hydrolysis	Fair
Methanol	n/a
Oil	Poor
Oxidation	Excellent
Petrol	Poor
Wear resistance	Good
Weather and ozone	Excellent

Dimensional drawings

1/8" NPSF, G3/8"

3/8" NPSF, G1/2"



Values specified in this data sheet are tested at (unless otherwise stated):

- Room temperature (20°C [68°F] ± 3°C [5.5°F]).
- Standard atmosphere (101.3 [29.9 inHg] ± 1.0 kPa [0.3 inHg]).
- Relative humidity 20-70%.
- Compressed air quality, DIN ISO 8573-1 class 4.

Accessories

- 0100548 | Fitting 75, 1/8" NPSF female, with mesh filter
- 0100551 | Fitting 75, G3/8" female, with mesh filter
- 0100553 | Fitting 75, 3/8" NPSF female, with mesh filter
- 0101942 | Suction cup B75-2 Nitrile-PVC with filter
- 0127819 | Fitting 1/8" NPSF female Al, with mesh filter
- 0127820 | Fitting G1/2" female Al, with mesh filter
- 0127821 | Fitting 1/4" NPT female Al, with mesh filter & 10-32 addl. conn.
- 0201149 | Filter D=80, 10 pcs, for B75-2
- 3150096P | Suction cup B75-2 Nitrile-PVC, with filter and washer
- 3150096S | Suction cup B75-2 Silicone, with filter & washer

Spare parts

- 0100555 | Fitting 75, G1/2" female, with mesh filter
- 0101943 | Suction cup B75-2 Silicone with filter