

# Suction cup BX10P Polyurethane 60, M5 male

Article number: 0122967



- Suitable for level adjustment and for uneven and porous surfaces such as cardboard, etc.
- In the two-coloured suction cup the bellows and the sealing lip are of different hardnesses, which makes the suction cup strong and stable and, at the same time, soft and flexible.
- DURAFLEX® suction cups manufactured in a specially developed material that features the elasticity of rubber and wear resistance of polyurethane.
- The material DURAFLEX® is mark free.

## Technical data

Description	Unit	Value
Suction cup shape	-	Multibellows
Application	-	Dry sheet metal, Corrugated / cardboard, Plastic injection molded parts, Mark Free
Suction cup design	-	Round
Characteristics	-	Dry sheet metal, Corrugated / cardboard, Plastic injection molded parts, Mark free
Material	-	Polyurethane (PU)
Weight, min.	g	1
Suction cup model	-	BX-P
Volume	cm <sup>3</sup>	0.56
Height	mm	25
Outer diameter, min.	mm	11
Fitting size	-	M5
Fitting option	-	None
Fitting style	-	Male
Fitting type	-	M-thread
Suction cup model	-	BX10P PU60
Movement, vertical max.	mm	4.5
Curve radius, min.	mm	6

## Performance - Lifting forces

BX10P PU60	Vertical (N)	Parallel (N)
20 -kPa	1	0.5
60 -kPa	2.3	0.67
90 -kPa	3.7	0.97

## Material

Name	Polyurethane (PU60)
Colour	Green transparent
Temperature, min.   °C	10
Temperature max.   °C	50
Hardness   °Shore A	60

## Material resistance

Alcohol	n/a
Concentrated acids	Fair
Ethanol	Fair
Hydrolysis	Fair
Methanol	Poor
Oil	Excellent
Oxidation	Poor
Petrol	Fair
Wear resistance	Excellent

Water and ozone

Name Polyurethane (PU60)

Dimensional drawings Green transparent

10

50

60

n/a

Fair

Fair

Fair

Poor

Excellent

Poor

Fair

Excellent

Excellent

Excellent

Excellent

Excellent

Excellent

Excellent

Excellent

Excellent

Excellent

Excellent

Excellent

Excellent

Excellent

Excellent

Excellent

Excellent

Excellent

Excellent

Excellent

Excellent

Excellent

Excellent

Excellent

Excellent

Excellent

Excellent

Excellent

Excellent

Excellent

Excellent

Excellent

Excellent

Excellent

Excellent

Excellent

Excellent

Excellent

Excellent

Excellent

Excellent

Excellent

Excellent

Excellent

Excellent

Excellent

Excellent

Excellent

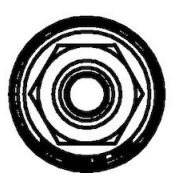
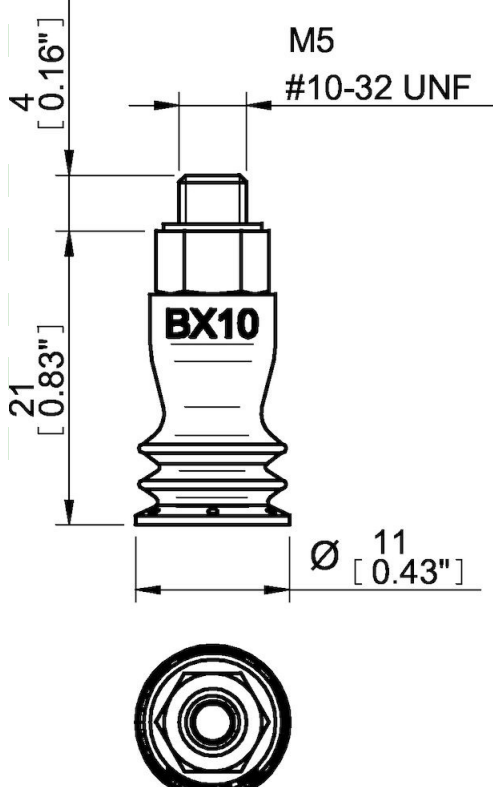
Excellent

Excellent

Excellent

Excellent

Excellent



Values specified in this data sheet are tested at (unless otherwise stated):

- Room temperature (20°C [68°F] ± 3°C [5.5°F]).
- Standard atmosphere (101.3 [29.9 inHg] ± 1.0 kPa [0.3 inHg]).
- Relative humidity 20-70%.
- Compressed air quality, DIN ISO 8573-1 class 4.

Accessories

0118329 | Suction cup BX10P Polyurethane 30/60

Spare parts

0122966 | Suction cup BX10P Polyurethane 60

3107030 | Fitting M5 male, 10-15