

Suction cup FC75P Polyurethane 40, 3/8" NPSF female

Article number: 0108796



- Suitable for slightly domed and flat and oily surfaces, e.g., such as those encountered when handling steel sheets in press processes.
- Thanks to the high friction of the rubber material, the suction cups can withstand high forces at rapid accelerations in horizontal directions, even on oily surfaces.
- The suction cups have cleats that prevent thin objects from being disfigured.
- DURAFLEX® suction cups manufactured in a specially developed material that features the elasticity of rubber and wear resistance of polyurethane. The material does not leave any marks on the objects handled.

Technical data

Description	Unit	Value
Suction cup shape	-	Flat Concave
Application	-	Dry sheet metal, Mark Free
Suction cup design	-	Round
Characteristics	-	Dry sheet metal, Mark free
Material	-	Polyurethane (PU)
Weight, min.	g	45
Suction cup model	-	FC
Volume	cm ³	30
Height	mm	37
Outer diameter, min.	mm	75
Fitting size	-	3/8"
Fitting option	-	None
Fitting style	-	Female
Fitting type	-	NPSF-thread
Suction cup model	-	FC75P PU40
Movement, vertical max.	mm	8.2
Curve radius, min.	mm	78

Performance - Lifting forces

FC75P PU40	Vertical (N)	Parallel (N)
20 -kPa	73	107
60 -kPa	157	200
90 -kPa	215	230

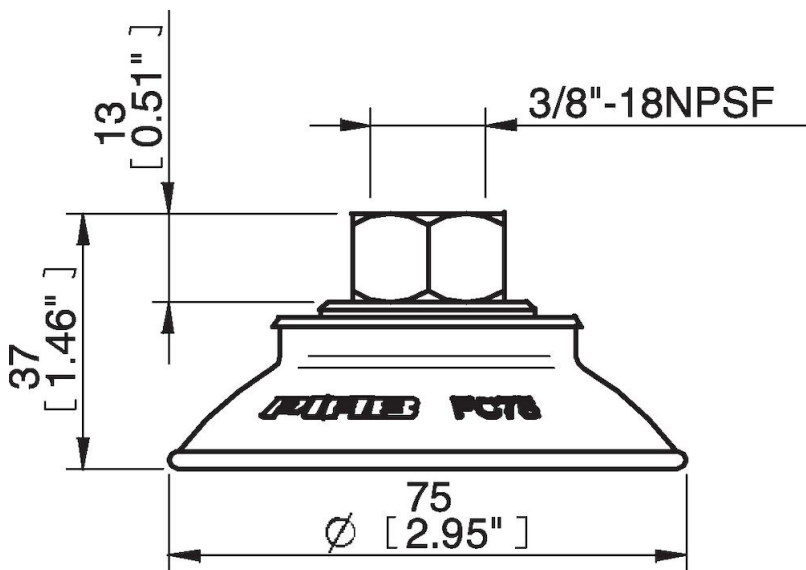
Material

Name	Polyurethane (PU40)
Colour	Red transparent
Temperature, min. °C	10
Temperature max. °C	50
Hardness °Shore A	40

Material resistance

Alcohol	n/a
Concentrated acids	Fair
Ethanol	Fair
Hydrolysis	Fair
Methanol	Poor
Oil	Excellent
Oxidation	Poor
Petrol	Fair
Wear resistance	Excellent
Weather and ozone	Excellent

Dimensional drawings



Values specified in this data sheet are tested at (unless otherwise stated):

- Room temperature (20°C [68°F] ± 3°C [5.5°F]).
- Standard atmosphere (101.3 [29.9 inHg] ± 1.0 kPa [0.3 inHg]).
- Relative humidity 20-70%.
- Compressed air quality, DIN ISO 8573-1 class 4.

Spare parts

0103294 | Suction cup FC75P Polyurethane 40, G3/8" male - 1/8" NPSF female

0107148 | Thread insert G3/8" male, with O-ring and mesh filter