

# Suction cup OF70x175P Polyurethane 40, thread insert G3/8" male, with mesh filter

Article number: 0109854



- Suitable for flat and rough surfaces.
- Fair stability and little inherent movement.
- Recommended when the lifting force is parallel to the surface of the object.
- Cleats prevent thin, sensitive objects from being deformed and give extra friction when the lifting force is parallel to the surface of the object.
- DURAFLEX® are suction cups manufactured in a specially developed material that features the elasticity of rubber and wear resistance of polyurethane. The material does not leave any marks on the objects handled.

## Technical data

Description	Unit	Value
Suction cup shape	-	Flat
Application	-	Dry sheet metal, Corrugated / cardboard, Plastic injection molded parts
Suction cup design	-	Oval
Characteristics	-	Dry sheet metal, Corrugated / cardboard, Plastic injection molded parts
Material	-	Polyurethane (PU)
Weight, min.	g	193
Suction cup model	-	OF
Volume	cm <sup>3</sup>	80
Height	mm	35
Length	mm	180
Outer diameter, min.	mm	180
Fitting size	-	3/8"
Fitting option	-	Filter mesh
Fitting style	-	Male
Fitting type	-	G-thread
Width	mm	75
Suction cup model	-	OF70x175P PU40
Movement, vertical max.	mm	5.7
Curve radius, min.	mm	130

## Performance - Lifting forces

OF70x175P PU40	Vertical (N)	Parallel (N)
20 -kPa	190	170
60 -kPa	530	440
90 -kPa	785	630

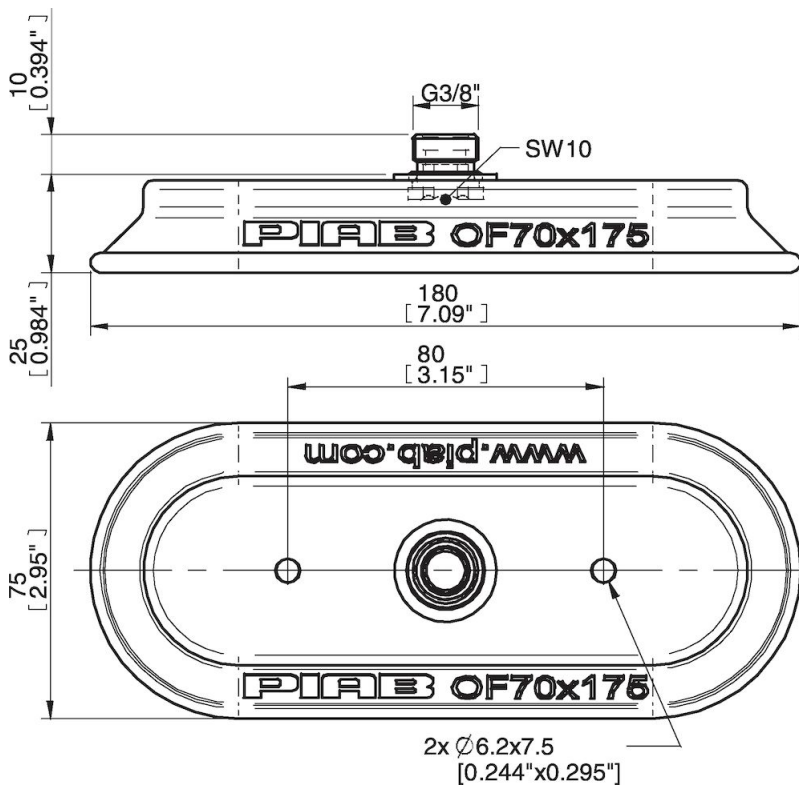
## Material

Name	Polyurethane (PU40)
Colour	Red transparent
Temperature, min.   °C	10
Temperature max.   °C	50
Hardness   °Shore A	40

## Material resistance

Alcohol	n/a
Concentrated acids	Fair
Ethanol	Fair
Hydrolysis	Fair
Methanol	Poor
Oil	Excellent
Oxidation	Poor
Petrol	Fair
Wear resistance	Excellent
Weather and ozone	Excellent

## Dimensional drawings



## Values specified in this data sheet are tested at (unless otherwise stated):

- Room temperature (20°C [68°F] ± 3°C [5.5°F]).
- Standard atmosphere (101.3 [29.9 inHg] ± 1.0 kPa [0.3 inHg]).
- Relative humidity 20-70%.
- Compressed air quality, DIN ISO 8573-1 class 4.

## Accessories

0109910 | Suction cup OF70x175P Polyurethane 60

## Spare parts

0107148 | Thread insert G3/8" male, with O-ring and mesh filter

0109911 | Suction cup OF70x175P Polyurethane 40