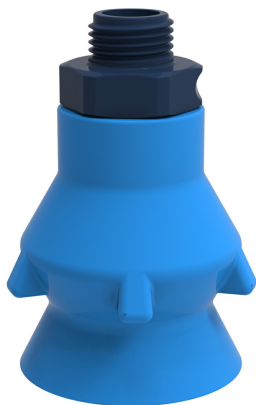


## Suction cup P-D27 Silicone G1/8" male composite, detectable, FCM

Article number: 0207026



- The silicone material complies with FDA 21 CFR 177.2600 and EU 1935/2004.
- Long lasting high-end silicone material
- A low percentage metal additive (Fe) is mixed with the rubber material to make it detectable.
- Suitable for pralines, such as chocolates
- Available with male threaded food grade, detectable plastic fittings or acid proof stainless steel fittings.
- Easy to clean with hygienic design. No dust/dirt pockets.

### Technical data

Description	Unit	Value
Suction cup shape	-	Deep
Application	-	Food contact materials (FDA & EU), detectable
Suction cup design	-	Round
Characteristics	-	Food contact materials (FDA & EU), detectable
Material	-	Silicone (SIL)
Load, torque, max.	Nm	13
Weight, min.	g	6.2
Suction cup model	-	P-D
Volume	cm <sup>3</sup>	6.2
Height	mm	36.5
Outer diameter, min.	mm	26.9
Fitting size	-	1/8"
Fitting option	-	None
Fitting style	-	Male
Fitting type	-	G-thread
Tightening torque, max.	Nm	13
Material	-	Composite
Suction cup model	-	P-D27 Dry metal sheet
Curve radius, min.	mm	28

### Performance - Lifting forces

P-D27 Dry metal sheet	Vertical (N)	Parallel (N)
10 -kPa	3.2	7.6
20 -kPa	5.5	13.5
40 -kPa	8.1	21.4

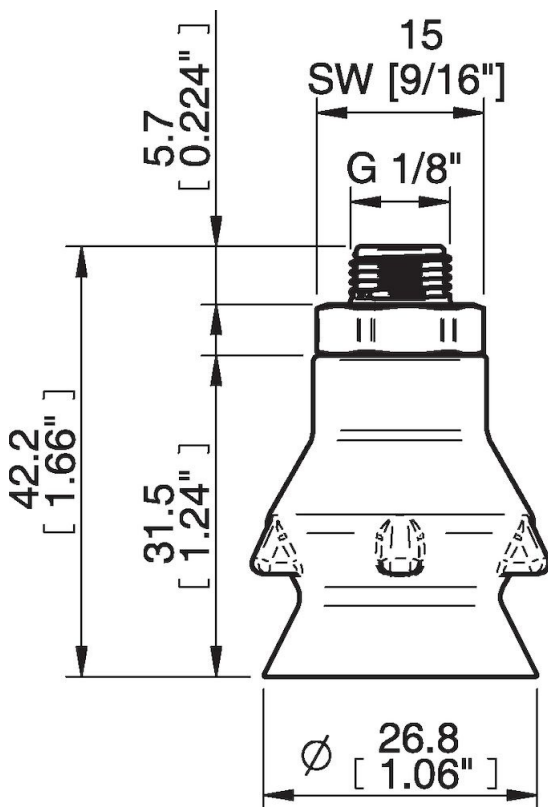
## Material

Name	Silicone (SIL detectable FCM)
Colour	Blue
Temperature, min.   °C	-40
Temperature max.   °C	200
Hardness   °Shore A	40

## Material resistance

Alcohol	Good
Concentrated acids	Poor
Ethanol	n/a
Hydrolysis	Fair
Methanol	n/a
Oil	Poor
Oxidation	Excellent
Petrol	Poor
Wear resistance	Good
Weather and ozone	Excellent

## Dimensional drawings



## Values specified in this data sheet are tested at (unless otherwise stated):

- Room temperature (20°C [68°F] ± 3°C [5.5°F]).
- Standard atmosphere (101.3 [29.9 inHg] ± 1.0 kPa [0.3 inHg]).
- Relative humidity 20-70%.
- Compressed air quality, DIN ISO 8573-1 class 4.

## Accessories

- 0207139 | Fitting G1/8" Male, SS, F-BX15-20 P-D27
- 0207140 | Fitting 1/8"NPT Male, SS, F-BX15-20 P-D27
- 0207141 | Fitting G1/4" Male, SS, F-BX15-20 P-D27
- 0207142 | Fitting 1/4"NPT Male, SS, F-BX15-20 P-D27
- 0207143 | Fitting G1/8" Male, composite, F-BX15-20 P-D27
- 0207144 | Fitting 1/8"NPT Male, composite, F-BX15-20 P-D27
- 0207145 | Fitting G1/4" Male, composite, F-BX15-20 P-D27
- 0207146 | Fitting 1/4"NPT Male, composite, F-BX15-20 P-D27

## Spare parts

- 0206371 | Suction cup P-D27 Silicone detectable, FCM
- 0207143 | Fitting G1/8" Male, composite, F-BX15-20 P-D27