

Suction cup B25XP Polyurethane 60, G1/8" male / M5 female with mesh filter

Article number: 0205190



- Suitable for limited level adjustment with good stability.
- Excellent gripping performance on corrugated and porous or surface leaking objects such as cardboard, textured plastic parts and composite material (raw surface)
- In the two-coloured suction cup the bellows and the sealing lip are of different hardnesses, which makes the suction cup strong and stable for accelerations and speed, at the same time, soft and flexible.
- DURAFLEX® suction cups manufactured in a specially developed material that features the elasticity of rubber and wear resistance of polyurethane.
- The material DURAFLEX® is mark free.

Technical data

Description	Unit	Value
Suction cup shape	-	Bellows
Application	-	Dry sheet metal, Glass handling
Suction cup design	-	Round
Characteristics	-	Dry sheet metal, Glass handling
Material	-	Polyurethane (PU)
Weight, min.	g	1.8
Suction cup model	-	B-XP
Volume	cm ³	1.63
Height	mm	22.5
Outer diameter, min.	mm	26
Fitting size	-	1/8", M5
Fitting option	-	Filter mesh
Fitting style	-	Female
Fitting type	-	G-thread, M-thread
Suction cup model	-	B25XP PU60
Movement, vertical max.	mm	5.5
Curve radius, min.	mm	11

Performance - Lifting forces

B25XP PU60	Vertical (N)	Parallel (N)
20 -kPa	12	10
60 -kPa	27	13
90 -kPa	30	18

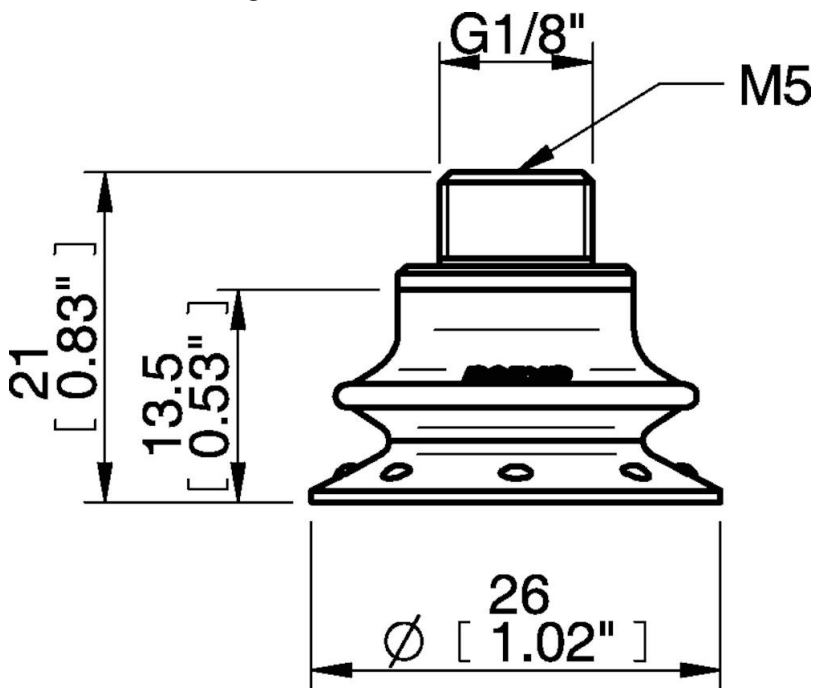
Material

Name	Polyurethane (PU60)
Colour	Green transparent
Temperature, min. °C	10
Temperature max. °C	50
Hardness °Shore A	60

Material resistance

Alcohol	n/a
Concentrated acids	Fair
Ethanol	Fair
Hydrolysis	Fair
Methanol	Poor
Oil	Excellent
Oxidation	Poor
Petrol	Fair
Wear resistance	Excellent
Weather and ozone	Excellent

Dimensional drawings



Values specified in this data sheet are tested at (unless otherwise stated):

- Room temperature (20°C [68°F] ± 3°C [5.5°F]).
- Standard atmosphere (101.3 [29.9 inHg] ± 1.0 kPa [0.3 inHg]).
- Relative humidity 20-70%.
- Compressed air quality, DIN ISO 8573-1 class 4.

Accessories

- 0100260 | Fitting 5xM5 female
- 3250003 | Fitting M5 female
- 3250085 | Fitting G1/8" male, with mesh filter
- 3250088 | Fitting 1/8" NPT male, with mesh filter

Spare parts

- 0101152 | Fitting G1/8" male/M5 female, with mesh filter
- 0205185 | Suction cup B25XP Polyurethane 60