

Suction cup D20-2 Chloroprene, M5 female

Article number: 0101215

- Suitable for objects with curved or irregular surfaces.
- Grips around corners and edges.



Technical data

Description	Unit	Value
Suction cup shape	-	Deep
Application	-	Dry sheet metal, Plastic injection molded parts
Suction cup design	-	Round
Characteristics	-	Dry sheet metal, Plastic injection molded parts
Material	-	Chloroprene (CR)
Weight, min.	g	2.2
Suction cup model	-	D
Volume	cm ³	2.5
Height	mm	19.2
Outer diameter, min.	mm	22
Fitting size	-	None
Fitting option	-	None
Fitting style	-	Female
Fitting type	-	M-thread
Suction cup model	-	D20-2
Movement, vertical max.	mm	2.8
Curve radius, min.	mm	8

Performance - Lifting forces

D20-2	Vertical (N)	Parallel (N)
20 -kPa	5.9	5
60 -kPa	15	8
90 -kPa	18	8.5

Material

Name	Chloroprene (CR) 50° Shore A
Colour	Black
Temperature, min. °C	-40
Temperature max. °C	110
Hardness °Shore A	50

Material resistance

Alcohol	Good
Concentrated acids	Poor
Ethanol	n/a
Hydrolysis	Good
Methanol	n/a
Oil	Fair
Oxidation	Good
Petrol	Fair
Wear resistance	Excellent

Water and ozone

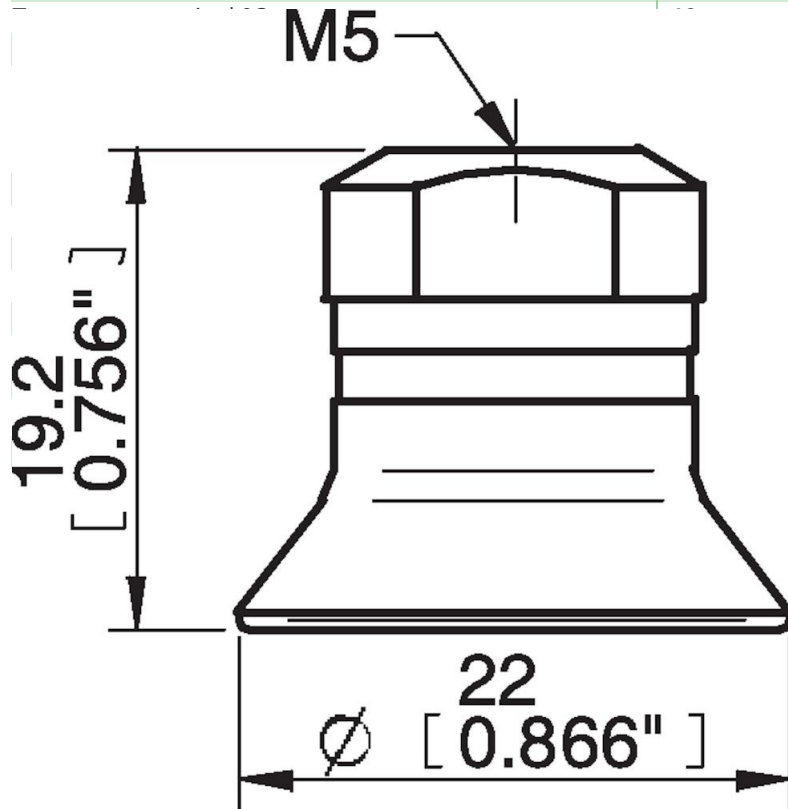
Good

Name

Chloroprene (CR) 50° Shore A

Dimensional drawings

Black



Values specified in this data sheet are tested at (unless otherwise stated):

- Room temperature (20°C [68°F] ± 3°C [5.5°F]).
- Standard atmosphere (101.3 [29.9 inHg] ± 1.0 kPa [0.3 inHg]).
- Relative humidity 20-70%.
- Compressed air quality, DIN ISO 8573-1 class 4.

Accessories

- 0100260 | Fitting 5xM5 female
- 0101124 | Suction cup D20-2 Silicone
- 0101152 | Fitting G1/8" male/M5 female, with mesh filter
- 3150196 | Fitting G1/8" male/M5 female, PA
- 3250004 | Fitting G1/8" male/M5 female
- 3250085 | Fitting G1/8" male, with mesh filter
- 3250088 | Fitting 1/8" NPT male, with mesh filter
- 3251001 | Fitting M5 female, with dual flow control valve
- 3251003 | Fitting 1/8" NPT male, with dual flow control valve
- 3251004 | Fitting G1/8" male/M5 female, with dual flow control valve
- 3251005 | Fitting 5xM5 female, with dual flow control valve

Spare parts

- 0101123 | Suction cup D20-2 Chloroprene
- 3250003 | Fitting M5 female