

# Suction cup U40-2 Silicone FCM, G1/4" male, with mesh filter

Article number: 9909722



- The silicone material complies with FDA 21 CFR 177.2600 & EU 1935/2004.
- Suitable for objects with flat or slightly curved surfaces.
- Also used for concave objects.

## Technical data

Description	Unit	Value
Suction cup shape	-	Universal
Application	-	Food contact materials (FDA & EU), non-detectable
Suction cup design	-	Round
Characteristics	-	Food contact materials (FDA & EU), non-detectable
Material	-	Silicone (SIL)
Weight, min.	g	4
Suction cup model	-	U
Volume	cm <sup>3</sup>	5.5
Height	mm	28
Outer diameter, min.	mm	41
Fitting size	-	1/4"
Fitting option	-	Filter mesh
Fitting style	-	Male
Fitting type	-	G-thread
Suction cup model	-	U40-2
Movement, vertical max.	mm	4.5
Curve radius, min.	mm	30

## Performance - Lifting forces

U40-2	Vertical (N)	Parallel (N)
20 -kPa	20	14
60 -kPa	39	22
90 -kPa	49	27

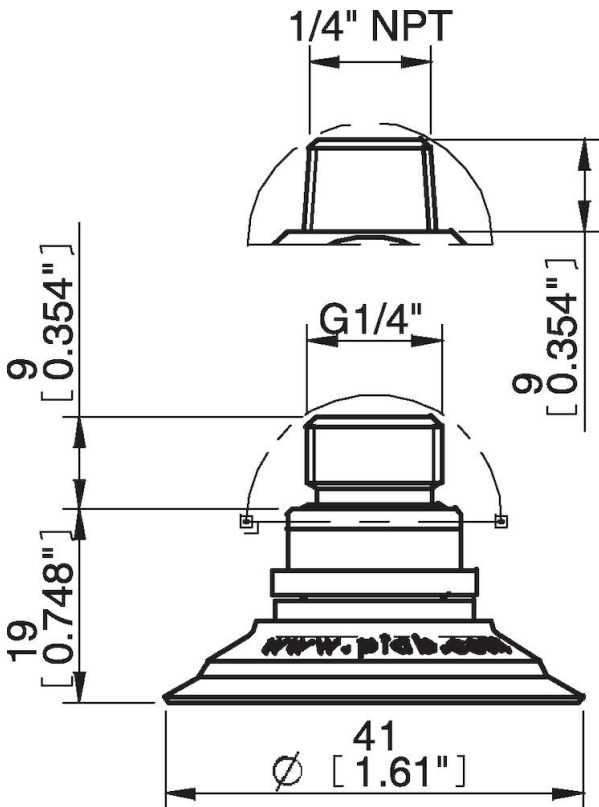
## Material

Name	Silicone (SIL FDA) 50° Shore
Colour	Transparent
Temperature, min.   °C	-40
Temperature max.   °C	200
Hardness   °Shore A	50

## Material resistance

Alcohol	Good
Concentrated acids	Poor
Ethanol	n/a
Hydrolysis	Fair
Methanol	n/a
Oil	Poor
Oxidation	Excellent
Petrol	Poor
Wear resistance	Good
Weather and ozone	Excellent

## Dimensional drawings



## Values specified in this data sheet are tested at (unless otherwise stated):

- Room temperature (20°C [68°F] ± 3°C [5.5°F]).
- Standard atmosphere (101.3 [29.9 inHg] ± 1.0 kPa [0.3 inHg]).
- Relative humidity 20-70%.
- Compressed air quality, DIN ISO 8573-1 class 4.

## Accessories

- 0101153 | Fitting 1/8" NPSF female, 30–40, with mesh filter
- 3250093 | Fitting 1/4" NPT male, with mesh filter

## Spare parts

- 0200442 | Suction cup U40-2 Silicone FCM
- 3250091 | Fitting G1/4" male, 30–40, with mesh filter