

Suction cup B20 Silicone, G1/8" male, with mesh filter and dual flow control valve

Article number: 0101178



- Suitable for level adjustment. Several short bellows in one lifting device can handle objects with height differences and varying shapes, for example embossed or corrugated plates.
- The lifting movement can be used to separate small and thin objects.
- Only lightweight objects should be handled when the lifting force is parallel to the surface of the object, in order to achieve good precision and safe lifting movement.

Technical data

Description	Unit	Value
Suction cup shape	-	Bellows
Application	-	Dry sheet metal, Plastic injection molded parts
Suction cup design	-	Round
Characteristics	-	Dry sheet metal, Plastic injection molded parts
Material	-	Silicone (SIL)
Weight, min.	g	3.2
Suction cup model	-	B
Volume	cm ³	2.7
Leakage flow, max.	l/s	0.06
Height	mm	31
Outer diameter, min.	mm	22.2
Outer diameter, actuated	mm	26
Fitting size	-	1/8"
Fitting option	-	Dual flow control valve, Filter mesh
Fitting style	-	Male
Fitting type	-	G-thread
Valve restriction	mm	0.7
Restricted vacuum flow	l/s	0.7
Suction cup model	-	B20
Movement, vertical max.	mm	10
Curve radius, min.	mm	10

Performance - Lifting forces

B20	Vertical (N)	Parallel (N)
20 -kPa	5.9	2.9
60 -kPa	9.8	5.4
90 -kPa	14	8.22

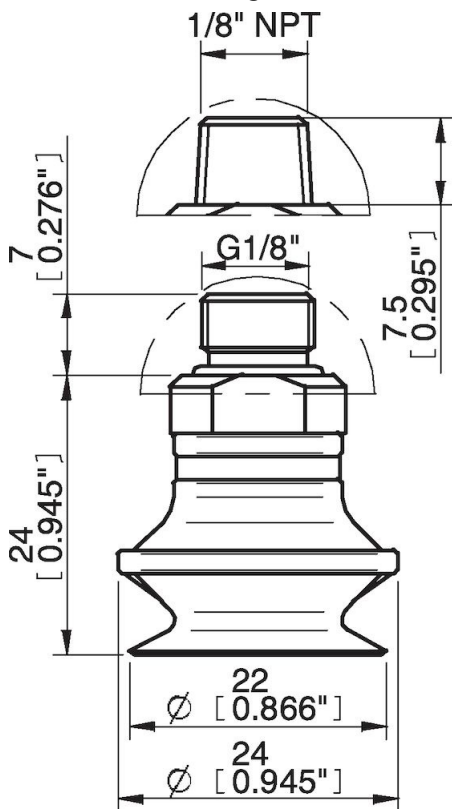
Material

Name	Silicone, SIL 50° Shore A
Colour	Red
Temperature, min. °C	-40
Temperature max. °C	200
Hardness °Shore A	50

Material resistance

Alcohol	Good
Concentrated acids	Poor
Ethanol	n/a
Hydrolysis	Fair
Methanol	n/a
Oil	Poor
Oxidation	Excellent
Petrol	Poor
Wear resistance	Good
Weather and ozone	Excellent

Dimensional drawings



Values specified in this data sheet are tested at (unless otherwise stated):

- Room temperature (20°C [68°F] ± 3°C [5.5°F]).
- Standard atmosphere (101.3 [29.9 inHg] ± 1.0 kPa [0.3 inHg]).
- Relative humidity 20-70%.
- Compressed air quality, DIN ISO 8573-1 class 4.

Accessories

- 0100260 | Fitting 5xM5 female
- 0101152 | Fitting G1/8" male/M5 female, with mesh filter
- 0128712 | Suction cup B20 HNBR
- 3150196 | Fitting G1/8" male/M5 female, PA
- 3250003 | Fitting M5 female
- 3250004 | Fitting G1/8" male/M5 female
- 3250085 | Fitting G1/8" male, with mesh filter
- 3250088 | Fitting 1/8" NPT male, with mesh filter
- 3251001 | Fitting M5 female, with dual flow control valve
- 3251003 | Fitting 1/8" NPT male, with dual flow control valve
- 3251004 | Fitting G1/8" male/M5 female, with dual flow control valve
- 3251005 | Fitting 5xM5 female, with dual flow control valve

Spare parts

0101102 | Suction cup B20 Silicone