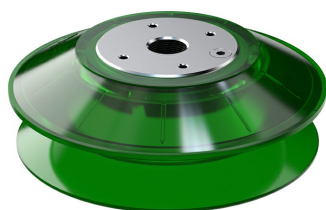


# B150P Polyurethane suction cup 60/60 with G 1/2" female

Article number: 0241410



- Reliable handling of difficult objects, e.g. with uneven and porous surfaces such as wood or cardboard etc., particularly with the two-colored suction cups where the harder bellows provide stability while the soft and flexible lips ensure full coverage of such surfaces (only on 30/60 shore version).
- Unspoiled surfaces thanks to the mark-free characteristics of the DURAFLEX® material with the 60 shore lips, i.e. one colored surface, on smooth surfaces such as glass or coated materials (only on 60/60 shore version).
- Allowing movements in all directions thanks to the strong grip of DURAFLEX® material.
- Stable processes with the integrated aluminum plate providing rigidity to avoid bending forces affecting the fittings.
- Enable handling parts with different heights thanks to level adjustment capabilities if several suction cups are combined in one gripper.
- Low downtimes thanks to the high wear resistance and long lasting elastic memory of the DURAFLEX® material.

## Technical data

Description	Unit	Value
Suction cup shape	-	Bellows
Application	-	Dry sheet metal, Mark Free, Plastic injection molded parts
Suction cup design	-	Round
Characteristics	-	Dry sheet metal, Mark free, Plastic injection molded parts
Material	-	Polyurethane (PU)
Weight, min.	g	327
Suction cup model	-	B-P
Volume	cm <sup>3</sup>	379
Height	mm	52
Outer diameter, max.	mm	155
Outer diameter, min.	mm	149
Outer diameter, actuated	mm	159
Fitting size	-	1/2"
Fitting style	-	Female
Suction cup model	-	B150P PU60
Movement, vertical max.	mm	30
Curve radius, min.	mm	190

## Performance - Lifting forces

B150P PU60	Vertical (N)	Parallel (N)
20 -kPa	296	148
60 -kPa	614	307
90 -kPa	807	404

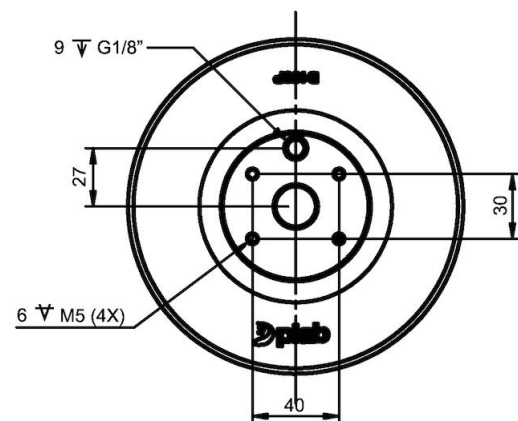
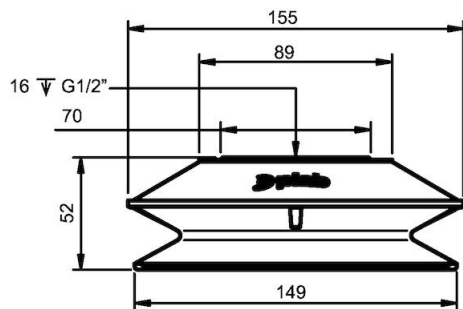
## Material

Name	Polyurethane (PU60)
Colour	Green transparent
Temperature, min.   °C	10
Temperature max.   °C	50
Hardness   °Shore A	60

## Material resistance

Alcohol	n/a
Concentrated acids	Fair
Ethanol	Fair
Hydrolysis	Fair
Methanol	Poor
Oil	Excellent
Oxidation	Poor
Petrol	Fair
Wear resistance	Excellent
Weather and ozone	Excellent

## Dimensional drawings



## Values specified in this data sheet are tested at (unless otherwise stated):

- Room temperature (20°C [68°F] ± 3°C [5.5°F]).
- Standard atmosphere (101.3 [29.9 inHg] ± 1.0 kPa [0.3 inHg]).
- Relative humidity 20-70%.
- Compressed air quality, DIN ISO 8573-1 class 4.

## Spare parts

0230670 | Suction cup B150P PU60 G1/2" Fe  
0106990 | Plug low G1/8" cpl.