

# Suction cup B-BL40-2 FCM, detectable, transparent

Article number: 0126599



- The silicone material complies with FDA 21 CFR 177.2600 and EU 1935/2004.
- Long lasting high-end silicone material.
- A low percentage metal additive (Fe) is mixed with the rubber material to make it detectable. Less amount of Fe-powder added compared to Blue version (0202850).
- Suitable for bakeries for use with handling seeded product
- Suitable for level adjustment.
- Available with male threaded food grade, detectable plastic fittings or acid proof stainless steel fittings. The fittings are separable.
- Additional fitting option – retainer clip for standard belts used for bread de-panner.
- Easy to clean with hygienic design. No dust/dirt pockets.
- Low vacuum level needed to collapse bellows. Reduces risk for damaging the handled bakery product.

## Technical data

Description	Unit	Value
Suction cup shape	-	Multibellows
Application	-	Food contact materials (FDA & EU), detectable
Suction cup design	-	Round
Characteristics	-	Food contact materials (FDA & EU), detectable
Material	-	Silicone (SIL)
Weight, min.	g	9
Suction cup model	-	B-BL
Volume	cm <sup>3</sup>	29
Height	mm	38
Outer diameter, min.	mm	42.5
Outer diameter, actuated	mm	43
Fitting size	-	None
Fitting option	-	None
Fitting style	-	None
Fitting type	-	None
Suction cup model	-	B-BL40-2 FDA, detectable
Movement, vertical max.	mm	22
Curve radius, min.	mm	11

## Performance - Lifting forces

B-BL40-2 FDA, detectable	Vertical (N)	Parallel (N)
20 -kPa	15.6	
60 -kPa	34.1	
90 -kPa	45.2	

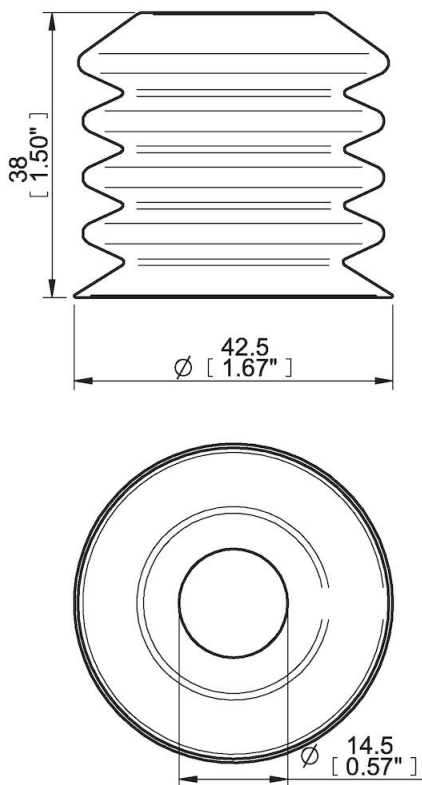
## Material

Name	Silicone (SIL FDA detectable)
Colour	Transparent
Temperature, min.   °C	-40
Temperature max.   °C	200
Hardness   °Shore A	40

## Material resistance

Alcohol	Good
Concentrated acids	Poor
Ethanol	n/a
Hydrolysis	Fair
Methanol	n/a
Oil	Poor
Oxidation	Excellent
Petrol	Poor
Wear resistance	Good
Weather and ozone	Excellent

## Dimensional drawings



## Values specified in this data sheet are tested at (unless otherwise stated):

- Room temperature (20°C [68°F] ± 3°C [5.5°F]).
- Standard atmosphere (101.3 [29.9 inHg] ± 1.0 kPa [0.3 inHg]).
- Relative humidity 20-70%.
- Compressed air quality, DIN ISO 8573-1 class 4.

## Accessories

0121660 | Retainer clip Ø9, composite, B-BL