

# Suction cup B40 Silicone, 1/8" NPSF female PA

Article number: 0110337



- Suitable for level adjustment. Several short bellows in one lifting device can handle objects with height differences and varying shapes, for example embossed or corrugated plates.
- The lifting movement can be used to separate small and thin objects.
- Only lightweight objects should be handled when the lifting force is parallel to the surface of the object, in order to achieve good precision and safe lifting movement.

## Technical data

Description	Unit	Value
Suction cup shape	-	Bellows
Application	-	Dry sheet metal, Plastic injection molded parts
Suction cup design	-	Round
Characteristics	-	Dry sheet metal, Plastic injection molded parts
Material	-	Silicone (SIL)
Weight, min.	g	10
Suction cup model	-	B
Volume	cm <sup>3</sup>	15
Height	mm	36
Outer diameter, min.	mm	45.7
Outer diameter, actuated	mm	49.5
Fitting size	-	1/8"
Fitting option	-	None
Fitting style	-	Female
Fitting type	-	NPSF-thread
Suction cup model	-	B40
Movement, vertical max.	mm	13.5
Curve radius, min.	mm	20

## Performance - Lifting forces

B40	Vertical (N)	Parallel (N)
20 -kPa	22	17.1
60 -kPa	39	26.3
90 -kPa	49	30.5

## Material

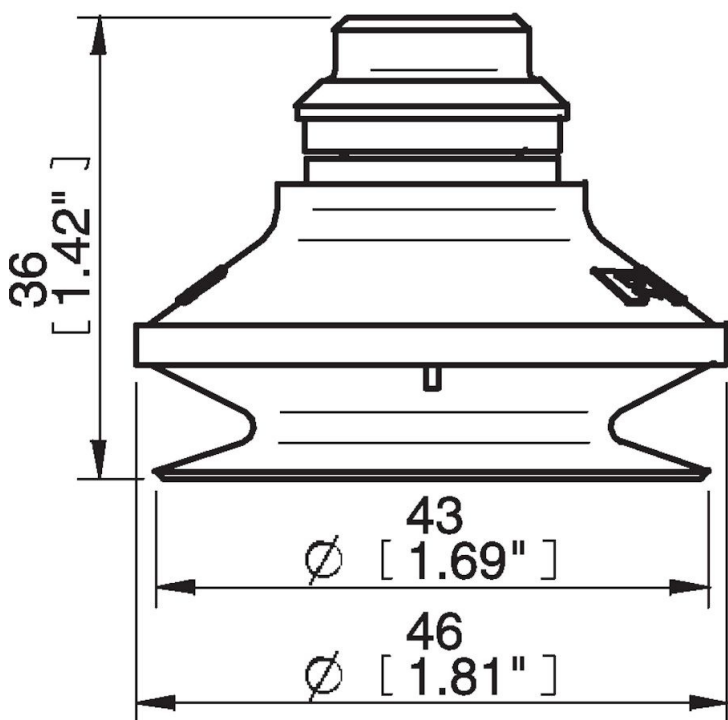
Name	Silicone, SIL 50° Shore A
Colour	Red
Temperature, min.   °C	-40
Temperature max.   °C	200
Hardness   °Shore A	50

## Material resistance

Alcohol	Good
Concentrated acids	Poor
Ethanol	n/a
Hydrolysis	Fair
Methanol	n/a
Oil	Poor
Oxidation	Excellent
Petrol	Poor
Wear resistance	Good
Weather and ozone	Excellent

## Dimensional drawings

1/8"-27NPSF



Values specified in this data sheet are tested at (unless otherwise stated):

- Room temperature (20°C [68°F] ± 3°C [5.5°F]).
- Standard atmosphere (101.3 [29.9 inHg] ± 1.0 kPa [0.3 inHg]).
- Relative humidity 20-70%.
- Compressed air quality, DIN ISO 8573-1 class 4.

**Accessories**

0100261 | Fitting 5x1/8" NPSF female, 30–40  
0101105 | Suction cup B40 Chloroprene  
0101153 | Fitting 1/8" NPSF female, 30–40, with mesh filter  
0108081 | Suction cup B40 HNBR  
0200714 | Fitting G1/8" male, 40, with mesh filter  
3250005 | Fitting 1/8" NPSF female, 30–40  
3250086 | Fitting G3/8" male, 30–40, with mesh filter  
3250089 | Fitting 3/8" NPT male, with mesh filter  
3250091 | Fitting G1/4" male, 30–40, with mesh filter  
3250093 | Fitting 1/4" NPT male, with mesh filter  
3251006 | Fitting 1/8" NPSF female, 30–40, with dual flow control valve  
3251007 | Fitting G1/4" male, 30–40, with mesh filter and dual flow control valve  
3251008 | Fitting 1/4" NPT male, with dual flow control valve  
3251009 | Fitting G3/8" male, 30–40, with mesh and dual flow control valve  
3251010 | Fitting 3/8" NPT male, with dual flow control valve  
3251011 | Fitting 5x1/8" NPSF female, 30–40, with dual flow control valve

**Spare parts**

0101106 | Suction cup B40 Silicone  
3150197 | Fitting 1/8" NPSF female, 30–40, PA