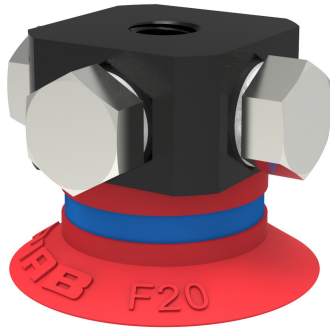


# Suction cup F20 Silicone, 5xM5 female

Article number: 0101274



- Suitable for flat objects.
- Good stability and little inherent movement.
- Recommended when the lifting force is parallel to the surface of the object.
- Cleats prevent thin, sensitive objects from being deformed and gives extra friction when the lifting force is parallel.

## Technical data

| Description              | Unit            | Value           |
|--------------------------|-----------------|-----------------|
| Suction cup shape        | -               | Flat            |
| Application              | -               | Dry sheet metal |
| Suction cup design       | -               | Round           |
| Characteristics          | -               | Dry sheet metal |
| Material                 | -               | Silicone (SIL)  |
| Weight, min.             | g               | 1.2             |
| Suction cup model        | -               | F               |
| Volume                   | cm <sup>3</sup> | 1               |
| Height                   | mm              | 17              |
| Outer diameter, min.     | mm              | 22              |
| Outer diameter, actuated | mm              | 23.2            |
| Fitting size             | -               | 5xM5            |
| Fitting option           | -               | None            |
| Fitting style            | -               | Female          |
| Fitting type             | -               | M-thread        |
| Suction cup model        | -               | F20             |
| Movement, vertical max.  | mm              | 1.2             |
| Curve radius, min.       | mm              | 18              |

## Performance - Lifting forces

| F20     | Vertical (N) | Parallel (N) |
|---------|--------------|--------------|
| 20 -kPa | 6            | 5            |
| 60 -kPa | 14.5         | 8            |
| 90 -kPa | 19           | 8.5          |

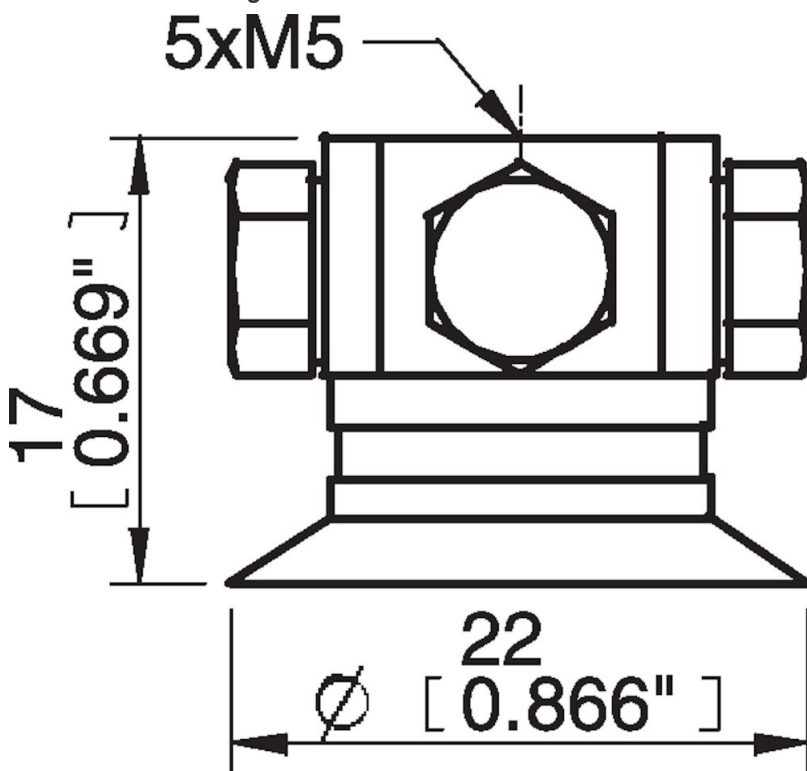
## Material

|                        |                           |
|------------------------|---------------------------|
| Name                   | Silicone, SIL 50° Shore A |
| Colour                 | Red                       |
| Temperature, min.   °C | -40                       |
| Temperature max.   °C  | 200                       |
| Hardness   °Shore A    | 50                        |

## Material resistance

|                    |           |
|--------------------|-----------|
| Alcohol            | Good      |
| Concentrated acids | Poor      |
| Ethanol            | n/a       |
| Hydrolysis         | Fair      |
| Methanol           | n/a       |
| Oil                | Poor      |
| Oxidation          | Excellent |
| Petrol             | Poor      |
| Wear resistance    | Good      |
| Weather and ozone  | Excellent |

## Dimensional drawings



## Values specified in this data sheet are tested at (unless otherwise stated):

- Room temperature (20°C [68°F] ± 3°C [5.5°F]).
- Standard atmosphere (101.3 [29.9 inHg] ± 1.0 kPa [0.3 inHg]).
- Relative humidity 20-70%.
- Compressed air quality, DIN ISO 8573-1 class 4.

## Accessories

- 0101129 | Suction cup F20 Chloroprene
- 0101152 | Fitting G1/8" male/M5 female, with mesh filter
- 3150196 | Fitting G1/8" male/M5 female, PA
- 3250003 | Fitting M5 female
- 3250004 | Fitting G1/8" male/M5 female
- 3250085 | Fitting G1/8" male, with mesh filter
- 3250088 | Fitting 1/8" NPT male, with mesh filter
- 3251001 | Fitting M5 female, with dual flow control valve
- 3251003 | Fitting 1/8" NPT male, with dual flow control valve
- 3251004 | Fitting G1/8" male/M5 female, with dual flow control valve
- 3251005 | Fitting 5xM5 female, with dual flow control valve

**Spare parts**

0100260 | Fitting 5xM5 female

0101130 | Suction cup F20 Silicone