

Suction cup F110 Silicone, G3/8" female, with mesh filter

Article number: 0101908



- Suitable for flat objects.
- Good stability and little inherent movement.
- Recommended when the lifting force is parallel to the surface of the object.
- Cleats prevent thin, sensitive objects from being deformed and gives extra friction when the lifting force is parallel.

Technical data

| Description | Unit | Value |
|--------------------------|-----------------|-----------------|
| Suction cup shape | - | Flat |
| Application | - | Dry sheet metal |
| Suction cup design | - | Round |
| Characteristics | - | Dry sheet metal |
| Material | - | Silicone (SIL) |
| Weight, min. | g | 66 |
| Suction cup model | - | F |
| Volume | cm ³ | 70 |
| Height | mm | 36.2 |
| Outer diameter, min. | mm | 112 |
| Outer diameter, actuated | mm | 115.3 |
| Fitting size | - | 3/8" |
| Fitting option | - | Filter mesh |
| Fitting style | - | Female |
| Fitting type | - | G-thread |
| Suction cup model | - | F110 |
| Movement, vertical max. | mm | 4 |
| Curve radius, min. | mm | 250 |

Performance - Lifting forces

| F110 | Vertical (N) | Parallel (N) |
|---------|--------------|--------------|
| 20 -kPa | 140 | 140 |
| 60 -kPa | 420 | 250 |
| 90 -kPa | 560 | 300 |

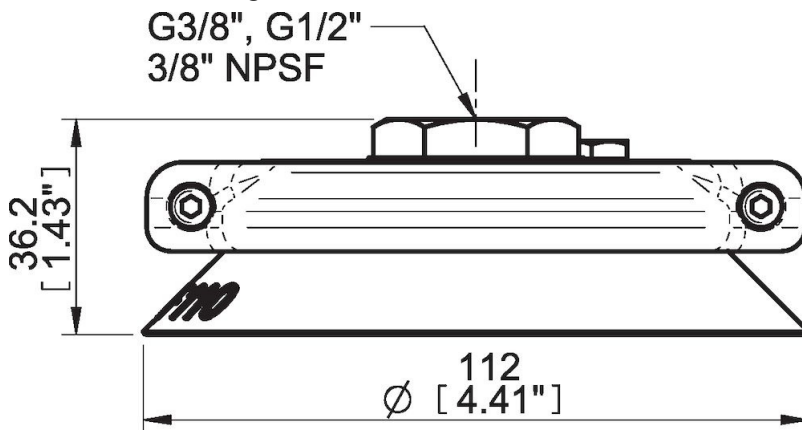
Material

| | |
|------------------------|---------------------------|
| Name | Silicone, SIL 50° Shore A |
| Colour | Red |
| Temperature, min. °C | -40 |
| Temperature max. °C | 200 |
| Hardness °Shore A | 50 |

Material resistance

| | |
|--------------------|-----------|
| Alcohol | Good |
| Concentrated acids | Poor |
| Ethanol | n/a |
| Hydrolysis | Fair |
| Methanol | n/a |
| Oil | Poor |
| Oxidation | Excellent |
| Petrol | Poor |
| Wear resistance | Good |
| Weather and ozone | Excellent |

Dimensional drawings



Values specified in this data sheet are tested at (unless otherwise stated):

- Room temperature (20°C [68°F] ± 3°C [5.5°F]).
- Standard atmosphere (101.3 [29.9 inHg] ± 1.0 kPa [0.3 inHg]).
- Relative humidity 20-70%.
- Compressed air quality, DIN ISO 8573-1 class 4.

Accessories

- 0100559 | Fitting 110, 3/8" NPSF female, with mesh filter
- 0100561 | Fitting 110, G1/2" female, with mesh filter
- 0100563 | Fitting 110, G1/2" female, with cone valve
- 3150038P | Suction cup F110 Nitrile-PVC with washer
- 3150038S | Suction cup F110 Silicone with washer
- 3150038T | Suction cup F110 HNBR with washer
- 3150132P | Suction cup F110 Nitrile-PVC
- 3150132T | Suction cup F110 HNBR
- 3250007 | Fitting G1/2" female Al, with mesh filter

Spare parts

- 0100557 | Fitting 110 G3/8" female, with mesh filter
- 3150132S | Suction cup F110 Silicone