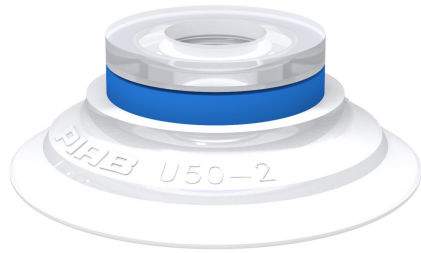


# Suction cup U50-2 Silicone FCM

Article number: 0200443

- The silicone material complies with FDA 21 CFR 177.2600 & EU 1935/2004.
- Suitable for objects with flat or slightly curved surfaces.
- Also used for concave objects.



## Technical data

Description	Unit	Value
Suction cup shape	-	Universal
Application	-	Food contact materials (FDA & EU), non-detectable
Suction cup design	-	Round
Characteristics	-	Food contact materials (FDA & EU), non-detectable
Material	-	Silicone (SIL)
Weight, min.	g	10
Suction cup model	-	U
Volume	cm <sup>3</sup>	12
Height	mm	17.5
Outer diameter, min.	mm	51.4
Fitting size	-	None
Fitting option	-	None
Fitting style	-	None
Fitting type	-	None
Suction cup model	-	U50-2
Movement, vertical max.	mm	6
Curve radius, min.	mm	35

## Performance - Lifting forces

U50-2	Vertical (N)	Parallel (N)
20 -kPa	35	20
60 -kPa	73	37
90 -kPa	92	44

## Material

Name	Silicone (SIL FDA) 50° Shore
Colour	Transparent
Temperature, min.   °C	-40
Temperature max.   °C	200
Hardness   °Shore A	50

## Material resistance

Alcohol	Good
Concentrated acids	Poor
Ethanol	n/a
Hydrolysis	Fair
Methanol	n/a
Oil	Poor
Oxidation	Excellent
Petrol	Poor
Wear resistance	Good

Weather and ozone

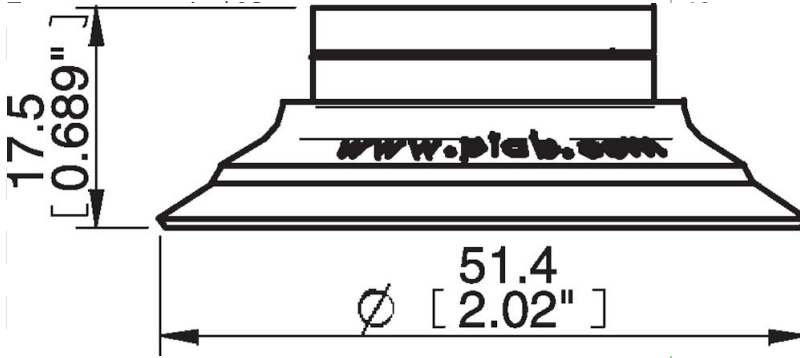
Excellent

Name

Silicone (SIL FDA) 50° Shore

Dimensional drawings

Transparent



Petrol

Poor

Wear resistance

Good

Weather and ozone

Excellent

- Values specified in this data sheet are tested at (unless otherwise stated):**
- Room temperature (20°C [68°F] ± 3°C [5.5°F]).
  - Standard atmosphere (101.3 [29.9 inHg] ± 1.0 kPa [0.3 inHg]).
  - Relative humidity 20-70%.
  - Compressed air quality, DIN ISO 8573-1 class 4.

**Accessories**

- 0101154 | Fitting 1/8" NPSF female, 50, with mesh filter
- 3250092 | Fitting G1/4" male, 50, with mesh filter
- 3250094 | Fitting 1/4" NPT male, with mesh filter