

# Suction cup BX25P Polyurethane 30/60 with filter, G1/8" male with mesh filter

Article number: 0114131



- Suitable for level adjustment and for uneven and porous surfaces such as cardboard, etc.
- DURAFLEX® suction cups manufactured in a specially developed material that features the elasticity of rubber and wear resistance of polyurethane.
- The material DURAFLEX® is mark free.

## Technical data

Description	Unit	Value
Suction cup shape	-	Multibellows
Application	-	Dry sheet metal, Corrugated / cardboard, Mark Free, Plastic injection molded parts
Suction cup design	-	Round
Characteristics	-	Dry sheet metal, Corrugated / cardboard, Mark free, Plastic injection molded parts
Material	-	Polyurethane (PU)
Weight, min.	g	3
Suction cup model	-	BX-P
Volume	cm <sup>3</sup>	3
Height	mm	31
Outer diameter, min.	mm	26
Fitting size	-	1/8"
Fitting option	-	Filter mesh, Filter disc
Fitting style	-	Male
Fitting type	-	G-thread
Suction cup model	-	BX25P PU30 PU60
Movement, vertical max.	mm	8.5
Curve radius, min.	mm	6

## Performance - Lifting forces

BX25P PU30 PU60	Vertical (N)	Parallel (N)
20 -kPa	8	5
60 -kPa	13	10
90 -kPa	17	12

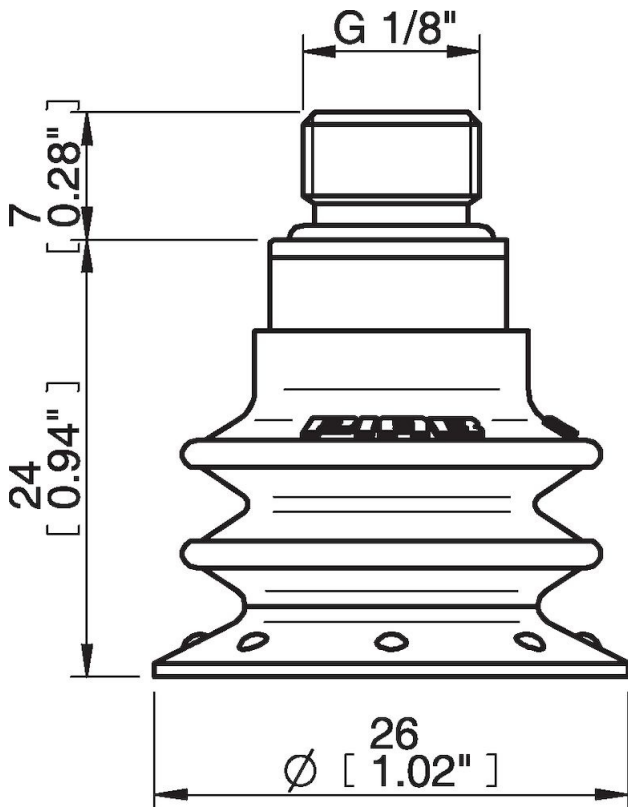
## Material

Name	Polyurethane (PU30)	Polyurethane (PU60)
Colour	Yellow	Green transparent
Temperature, min.   °C	10	10
Temperature max.   °C	50	50
Hardness   °Shore A	30	60

## Material resistance

Alcohol	n/a	n/a
Concentrated acids	Fair	Fair
Ethanol	Fair	Fair
Hydrolysis	Fair	Fair
Methanol	Poor	Poor
Oil	Excellent	Excellent
Oxidation	Poor	Poor
Petrol	Fair	Fair
Wear resistance	Excellent	Excellent
Weather and ozone	Excellent	Excellent

## Dimensional drawings



## Values specified in this data sheet are tested at (unless otherwise stated):

- Room temperature (20°C [68°F] ± 3°C [5.5°F]).
- Standard atmosphere (101.3 [29.9 inHg] ± 1.0 kPa [0.3 inHg]).
- Relative humidity 20-70%.
- Compressed air quality, DIN ISO 8573-1 class 4.

## Accessories

- 0100260 | Fitting 5xM5 female
- 0101152 | Fitting G1/8" male/M5 female, with mesh filter
- 0108240 | Suction cup BX25P Polyurethane 60
- 0109006 | Suction cup BX25P Polyurethane 30/60
- 0109397 | Suction cup BX25P Polyurethane 60, with filter
- 3250003 | Fitting M5 female
- 3250004 | Fitting G1/8" male/M5 female
- 3250088 | Fitting 1/8" NPT male, with mesh filter
- 3251001 | Fitting M5 female, with dual flow control valve
- 3251003 | Fitting 1/8" NPT male, with dual flow control valve
- 3251004 | Fitting G1/8" male/M5 female, with dual flow control valve
- 3251005 | Fitting 5xM5 female, with dual flow control valve

## Spare parts

0109312 | Suction cup BX25P Polyurethane 30/60, with filter

3250085 | Fitting G1/8" male, with mesh filter

0201000 | Suction cup filter BX25P, 10 pcs