

Suction cup B75P Polyurethane 60, 1/8" NPSF female, with mesh filter

Article number: 0111600



- Suitable for level adjustment and for uneven and porous surfaces such as cardboard, etc.
- In the two-coloured suction cup the bellows and the sealing lip are of different hardnesses, which makes the suction cup strong and stable and, at the same time, soft and flexible.
- DURAFLEX® suction cups manufactured in a specially developed material that features the elasticity of rubber and wear resistance of polyurethane.
- The material of the DURAFLEX® is mark free.

Technical data

| Description | Unit | Value |
|--------------------------|-----------------|------------------------------------------------------------|
| Suction cup shape | - | Bellows |
| Application | - | Dry sheet metal, Plastic injection molded parts, Mark Free |
| Suction cup design | - | Round |
| Characteristics | - | Dry sheet metal, Plastic injection molded parts, Mark free |
| Material | - | Polyurethane (PU) |
| Weight, min. | g | 131 |
| Suction cup model | - | B-P |
| Volume | cm ³ | 110 |
| Height | mm | 50.3 |
| Outer diameter, min. | mm | 76.6 |
| Outer diameter, actuated | mm | 86.3 |
| Fitting size | - | 1/8" |
| Fitting option | - | Filter mesh |
| Fitting style | - | Female |
| Fitting type | - | NPSF-thread |
| Suction cup model | - | B75P PU60 |
| Movement, vertical max. | mm | 22.8 |
| Curve radius, min. | mm | 90 |

Performance - Lifting forces

| B75P PU60 | Vertical (N) | Parallel (N) |
|-----------|--------------|--------------|
| 20 -kPa | 83 | 121 |
| 60 -kPa | 196 | 229 |
| 90 -kPa | 255 | 298 |

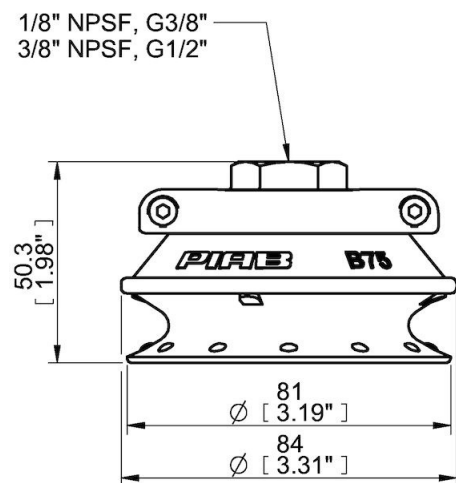
Material

| | |
|------------------------|---------------------|
| Name | Polyurethane (PU60) |
| Colour | Green transparent |
| Temperature, min. °C | 10 |
| Temperature max. °C | 50 |
| Hardness °Shore A | 60 |

Material resistance

| | |
|--------------------|-----------|
| Alcohol | n/a |
| Concentrated acids | Fair |
| Ethanol | Fair |
| Hydrolysis | Fair |
| Methanol | Poor |
| Oil | Excellent |
| Oxidation | Poor |
| Petrol | Fair |
| Wear resistance | Excellent |
| Weather and ozone | Excellent |

Dimensional drawings



Values specified in this data sheet are tested at (unless otherwise stated):

- Room temperature (20°C [68°F] ± 3°C [5.5°F]).
- Standard atmosphere (101.3 [29.9 inHg] ± 1.0 kPa [0.3 inHg]).
- Relative humidity 20-70%.
- Compressed air quality, DIN ISO 8573-1 class 4.

Accessories

- 0100551 | Fitting 75, G3/8" female, with mesh filter
- 0100553 | Fitting 75, 3/8" NPSF female, with mesh filter
- 0100555 | Fitting 75, G1/2" female, with mesh filter
- 0104723 | Suction cup B75P Polyurethane 30/60
- 0106832 | Suction cup B75P Polyurethane 30/60, for thread insert
- 0107148 | Thread insert G3/8" male, with O-ring and mesh filter
- 0107318 | Suction cup B75P Polyurethane 60, for thread insert

Spare parts

- 0100548 | Fitting 75, 1/8" NPSF female, with mesh filter
- 0111594 | Suction cup B75P Polyurethane 60