

# Suction cup B40 Chloroprene, G3/8" male, with mesh filter and dual flow control valve

Article number: 0101466



- Suitable for level adjustment. Several short bellows in one lifting device can handle objects with height differences and varying shapes, for example embossed or corrugated plates.
- The lifting movement can be used to separate small and thin objects.
- Only lightweight objects should be handled when the lifting force is parallel to the surface of the object, in order to achieve good precision and safe lifting movement.

## Technical data

| Description             | Unit            | Value   |
|-------------------------|-----------------|---|
| Suction cup shape       | -               | Bellows   |
| Application             | -               | Dry sheet metal, Plastic injection molded parts |
| Suction cup design      | -               | Round   |
| Characteristics         | -               | Dry sheet metal, Plastic injection molded parts |
| Material                | -               | Chloroprene (CR)                                |
| Weight, min.            | g               | 10  |
| Suction cup model       | -               | B   |
| Volume                  | cm <sup>3</sup> | 15  |
| Leakage flow, max.      | l/s             | 0.13  |
| Height                  | mm              | 44  |
| Outer diameter, min.    | mm              | 43  |
| Fitting size            | -               | 3/8"  |
| Fitting option          | -               | Dual flow control valve, Filter mesh            |
| Fitting style           | -               | Male  |
| Fitting type            | -               | G-thread  |
| Valve restriction       | mm              | 0.9   |
| Suction cup model       | -               | B40   |
| Movement, vertical max. | mm              | 13.5  |
| Curve radius, min.      | mm              | 20  |

## Performance - Lifting forces

| B40     | Vertical (N) | Parallel (N) |
|---------|--------------|--------------|
| 20 -kPa | 22           | 17.1         |
| 60 -kPa | 39           | 26.3         |
| 90 -kPa | 49           | 30.5         |

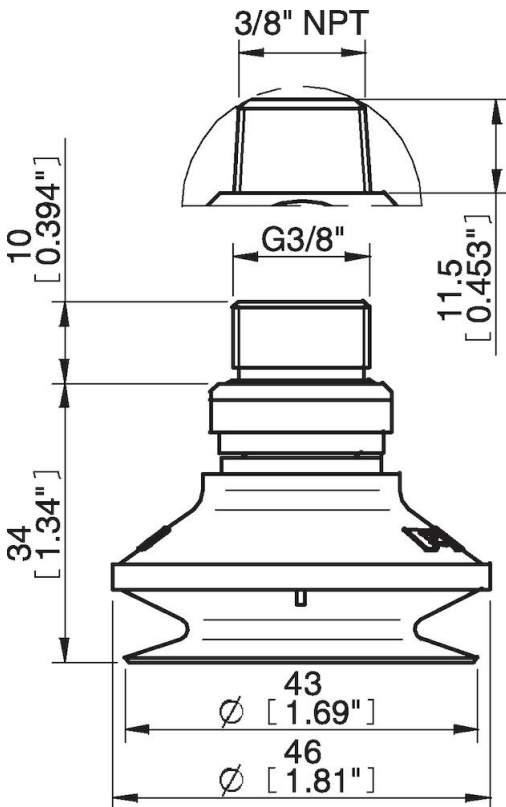
## Material

|                        |                              |
|------------------------|------------------------------|
| Name                   | Chloroprene (CR) 50° Shore A |
| Colour                 | Black                        |
| Temperature, min.   °C | -40                          |
| Temperature max.   °C  | 110                          |
| Hardness   °Shore A    | 50                           |

## Material resistance

|                    |           |
|--------------------|-----------|
| Alcohol            | Good      |
| Concentrated acids | Poor      |
| Ethanol            | n/a       |
| Hydrolysis         | Good      |
| Methanol           | n/a       |
| Oil                | Fair      |
| Oxidation          | Good      |
| Petrol             | Fair      |
| Wear resistance    | Excellent |
| Weather and ozone  | Good      |

## Dimensional drawings



Values specified in this data sheet are tested at (unless otherwise stated):

- Room temperature (20°C [68°F] ± 3°C [5.5°F]).
- Standard atmosphere (101.3 [29.9 inHg] ± 1.0 kPa [0.3 inHg]).
- Relative humidity 20-70%.
- Compressed air quality, DIN ISO 8573-1 class 4.

**Accessories**

0100261 | Fitting 5x1/8" NPSF female, 30–40

0101106 | Suction cup B40 Silicone

0101153 | Fitting 1/8" NPSF female, 30–40, with mesh filter

0108081 | Suction cup B40 HNBR

0200714 | Fitting G1/8" male, 40, with mesh filter

3150197 | Fitting 1/8" NPSF female, 30–40, PA

3250005 | Fitting 1/8" NPSF female, 30–40

3250086 | Fitting G3/8" male, 30–40, with mesh filter

3250089 | Fitting 3/8" NPT male, with mesh filter

3250091 | Fitting G1/4" male, 30–40, with mesh filter

3250093 | Fitting 1/4" NPT male, with mesh filter

3251006 | Fitting 1/8" NPSF female, 30–40, with dual flow control valve

3251007 | Fitting G1/4" male, 30–40, with mesh filter and dual flow control valve

3251008 | Fitting 1/4" NPT male, with dual flow control valve

3251010 | Fitting 3/8" NPT male, with dual flow control valve

3251011 | Fitting 5x1/8" NPSF female, 30–40, with dual flow control valve

**Spare parts**

0101105 | Suction cup B40 Chloroprene

3251009 | Fitting G3/8" male, 30–40, with mesh and dual flow control valve