

Vacuum filter G1/2" (10 µm)

Article number: 3116651

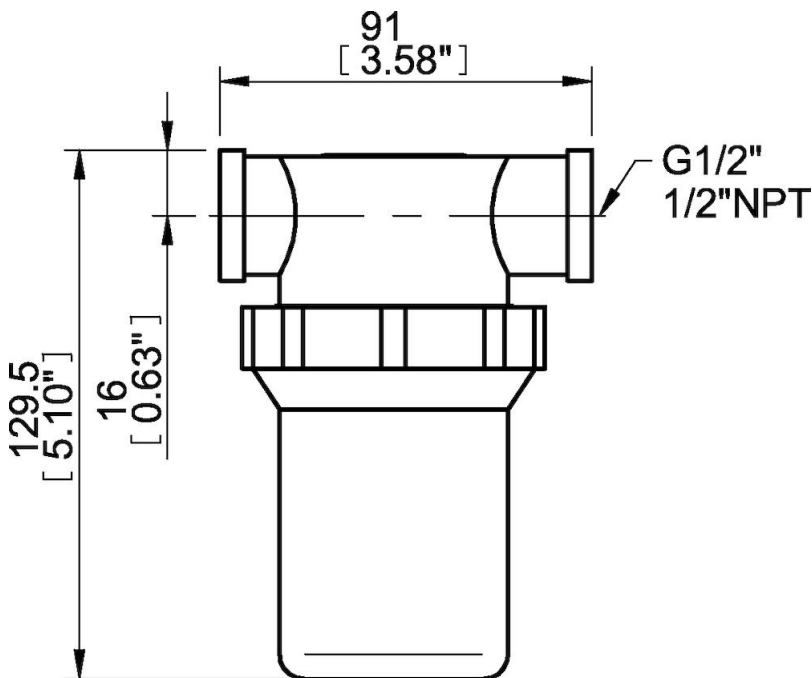


- To filter dust and other small particles from the vacuum flow.
- Reduces the risk of operation breakdown or stoppage in the pump.
- Replaceable filter element.
- Available with special filter element with increased filter area

Technical data

| Description | Unit | Value |
|--------------------|-----------------|------------|
| Material | - | PA, PE, PP |
| Temperature, max. | °C | 80 |
| Temperature, min. | °C | -20 |
| Weight, min. | g | 184 |
| Flow (nominal) | l/s | 15 |
| Pressure, max. | MPa | 0 |
| Filter area | cm ² | 100 |
| Pressure, min. | MPa | -0.1 |
| Removal efficiency | µm | 10 |
| Volume, internal | cm ³ | 195 |

Dimensional drawings



Spare parts

0128423 | Filter element 1/2" & 3/4" (10 µm), 3 pcs