

Suction cup B110 Silicone FCM, G1/2" female, with mesh filter

Article number: 0200551



- The silicone material complies with FDA 21 CFR 177.2600 & EU 1935/2004.
- Suitable for level adjustment. Several short bellows in one lifting device can handle objects with height differences and varying shapes, for example embossed or corrugated plates.
- The lifting movement can be used to separate small and thin objects.
- Only lightweight objects should be handled when the lifting force is parallel to the surface of the object, in order to achieve good precision and safe lifting movement.

Technical data

Description	Unit	Value
Suction cup shape	-	Bellows
Application	-	Food contact materials (FDA & EU), non-detectable
Suction cup design	-	Round
Characteristics	-	Food contact materials (FDA & EU), non-detectable
Material	-	Silicone (SIL)
Weight, min.	g	120
Suction cup model	-	B
Volume	cm ³	310
Height	mm	70.6
Outer diameter, min.	mm	115
Outer diameter, actuated	mm	129
Fitting size	-	1/2"
Fitting option	-	Filter mesh
Fitting style	-	Female
Fitting type	-	G-thread
Suction cup model	-	B110
Movement, vertical max.	mm	34.6
Curve radius, min.	mm	60

Performance - Lifting forces

B110	Vertical (N)	Parallel (N)
20 -kPa	137	
60 -kPa	343	
90 -kPa	461	

Material

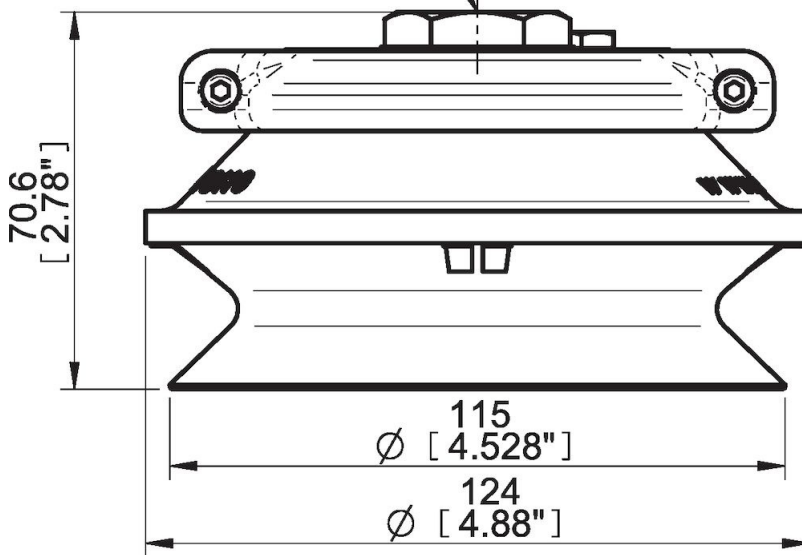
Name	Silicone (SIL FDA) 50° Shore
Colour	Transparent
Temperature, min. °C	-40
Temperature max. °C	200
Hardness °Shore A	50

Material resistance

Alcohol	Good
Concentrated acids	Poor
Ethanol	n/a
Hydrolysis	Fair
Methanol	n/a
Oil	Poor
Oxidation	Excellent
Petrol	Poor
Wear resistance	Good
Weather and ozone	Excellent

Dimensional drawings

G3/8", G1/2"
3/8" NPSF



Values specified in this data sheet are tested at (unless otherwise stated):

- Room temperature (20°C [68°F] ± 3°C [5.5°F]).
- Standard atmosphere (101.3 [29.9 inHg] ± 1.0 kPa [0.3 inHg]).
- Relative humidity 20-70%.
- Compressed air quality, DIN ISO 8573-1 class 4.

Accessories

0100559 | Fitting 110, 3/8" NPSF female, with mesh filter

Spare parts

0100561 | Fitting 110, G1/2" female, with mesh filter

0200246 | Suction cup B110 Silicone FCM