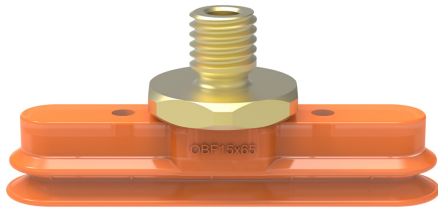


Suction cup OBF15x65P Polyurethane 60, M10x1.5 male

Article number: 0207611



- Special designed friction cups for oily surfaces, such as sheets in metal forming processes.
- Normal wear on friction cup will not affect the long term shear force performance.
- Best choice if > 0,1g/m2 press oil is used on the sheet.
- Thanks to the strong grip on oily surfaces, the suction cups can withstand high shear forces, typically 2–4 times more than corresponding conventional suction cups.
- The small "OBF" cups are suitable for narrow objects with curved or flat surfaces and small gripping areas, such as those encountered with body parts in the automotive industry.
- Can handle objects with minor height differences.
- DURAFLEX® suction cups manufactured in a specially developed material that features the elasticity of rubber and wear resistance of polyurethane. The material does not leave any marks on the objects handled.

Technical data

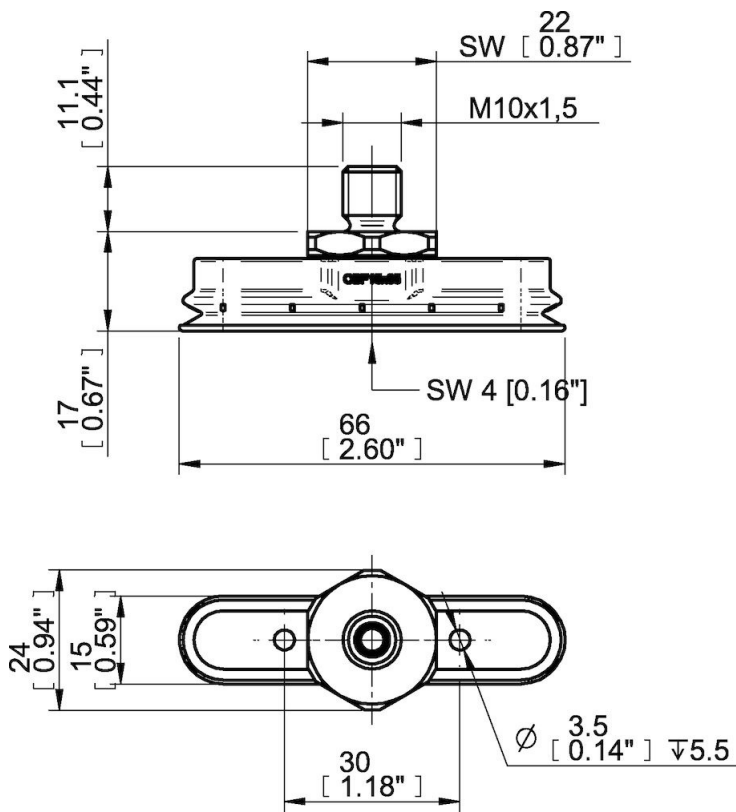
| Description | Unit | Value |
|-------------------------|-----------------|----------------------------|
| Suction cup shape | - | Bellows |
| Application | - | Oily sheet metal |
| Suction cup design | - | Oval |
| Characteristics | - | Oily sheet metal |
| Material | - | Polyurethane (PU) |
| Weight, min. | g | 9 |
| Suction cup model | - | OBF |
| Volume | cm ³ | 2.6 |
| Height | mm | 28.1 |
| Length | mm | 66 |
| Fitting size | - | M10×1.5 |
| Fitting option | - | None |
| Fitting style | - | Male |
| Fitting type | - | M-thread |
| Width | mm | 15 |
| Length, actuated | mm | 66.5 |
| Width, actuated | mm | 15 |
| Material | - | Brass |
| Suction cup model | - | OBF15x65P Oily metal sheet |
| Movement, vertical max. | mm | 2.9 |
| Curve radius, min. | mm | 20 |
| Suction cup model | - | OBF15x65P Dry metal sheet |
| Movement, vertical max. | mm | 2.9 |
| Curve radius, min. | mm | 20 |

Performance - Lifting forces

| | Vertical (N) | Parallel (N) |
|----------------------------|--------------|--------------|
| OBF15x65P Oily metal sheet | | |
| 60 -kPa | 31 | 7 |
| 90 -kPa | 41 | 8 |
| OBF15x65P Dry metal sheet | | |
| 60 -kPa | 41 | 31 |

| Material | |
|----------------------------|---------------------|
| Name | Polyurethane (PU60) |
| Colour | Orange |
| Temperature, min. °C | 10 |
| Temperature max. °C | 50 |
| Hardness °Shore A | 60 |
| Material resistance | |
| Alcohol | n/a |
| Concentrated acids | Fair |
| Ethanol | Fair |
| Hydrolysis | Fair |
| Methanol | Poor |
| Oil | Excellent |
| Oxidation | Poor |
| Petrol | Fair |
| Wear resistance | Excellent |
| Weather and ozone | Excellent |

Dimensional drawings



Values specified in this data sheet are tested at (unless otherwise stated):

- Room temperature (20°C [68°F] ± 3°C [5.5°F]).
- Standard atmosphere (101.3 [29.9 inHg] ± 1.0 kPa [0.3 inHg]).
- Relative humidity 20-70%.
- Compressed air quality, DIN ISO 8573-1 class 4.