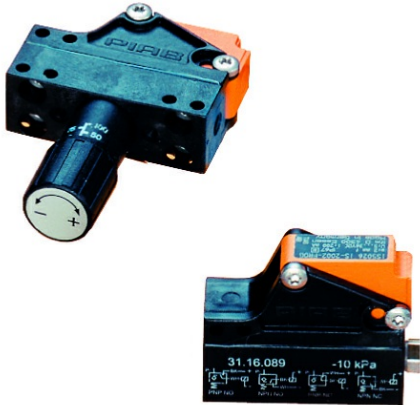


Vacuum switch, inductive universal, preset (Signal range 10 -kPa)

Article number: 3116089

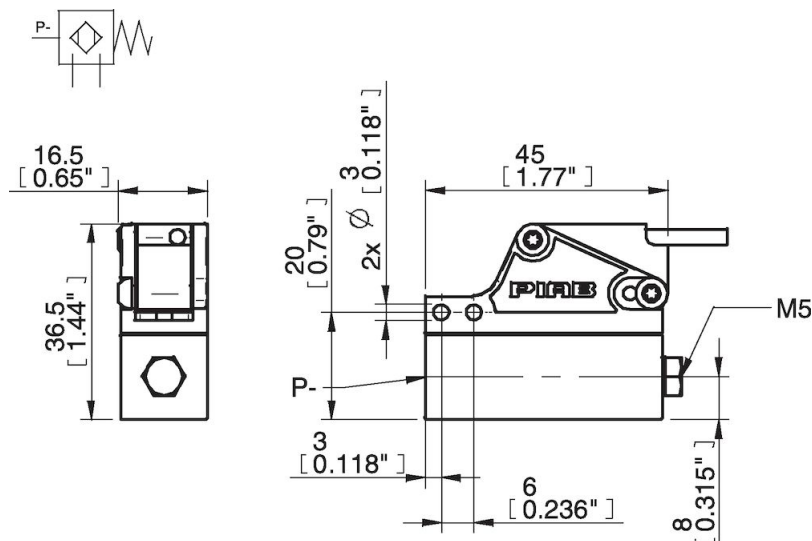


- Converts a vacuum level to a digital signal, 24 VDC.
- Vacuum-actuated membrane linked to a proximity-inductive universal switch.
- Integrated cable with open ends included.
- PNP NO/NC or NPN NO/NC output functions.
- The switch must be connected in series with the load.

Technical data

Description	Unit	Value
Material	-	Al, CuZn, Nitrile (NBR), PA, PBTP, POM, PVC, SS
Temperature, max.	°C	80
Temperature, min.	°C	-25
Weight, min.	g	71
Cable specification	-	2 x 0,14 mm ² x 2m
Current, max.	mA	200
Pressure, max.	MPa	0.6
Safety classification	-	IP67
Voltage	VDC	24 (5–36)
Valve function	-	PNP NO/NC, NPN NO/NC
Hysteresis	kPa	2
Signal range, max.	-kPa	11
Signal range, min.	-kPa	9
Height	mm	36.5
Length	mm	16.5
Width	mm	47.5
Voltage drop, max	VDC	4.6
Vacuum setting options	-	Preset

Dimensional drawings



Accessories

0100488 | Connection set for vacuum switch