

# Suction cup BX75P Polyurethane 60 with filter, thread insert G3/8" male

Article number: 0107149



- Suitable for level adjustment and for uneven and porous surfaces such as cardboard, etc.
- In the two-coloured suction cup the bellows and the sealing lip are of different hardnesses, which makes the suction cup strong and stable and, at the same time, soft and flexible.
- DURAFLEX® suction cups manufactured in a specially developed material that features the elasticity of rubber and wear resistance of polyurethane.
- The material DURAFLEX® is mark free.

## Technical data

Description	Unit	Value
Suction cup shape	-	Multibellows
Application	-	Dry sheet metal, Corrugated / cardboard, Plastic injection molded parts, Mark Free
Suction cup design	-	Round
Characteristics	-	Dry sheet metal, Corrugated / cardboard, Plastic injection molded parts, Mark free
Material	-	Polyurethane (PU)
Weight, min.	g	71
Suction cup model	-	BX-P
Volume	cm <sup>3</sup>	80
Height	mm	61.7
Outer diameter, min.	mm	77.5
Fitting size	-	3/8"
Fitting option	-	Filter
Fitting style	-	Male
Fitting type	-	G-thread
Suction cup model	-	BX75P PU60
Movement, vertical max.	mm	26
Curve radius, min.	mm	23

## Performance - Lifting forces

BX75P PU60	Vertical (N)	Parallel (N)
20 -kPa	70	50
60 -kPa	120	114
90 -kPa	166	150

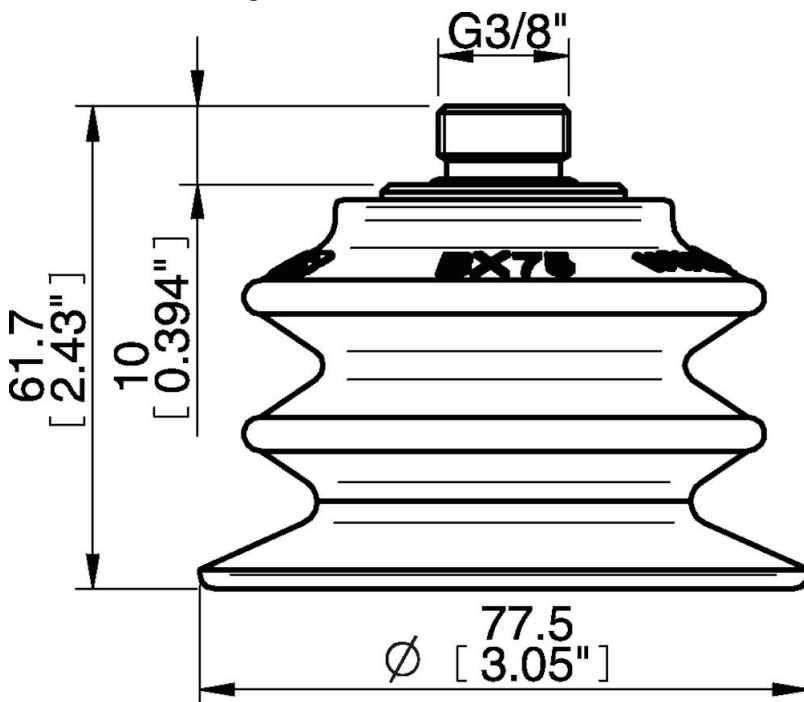
## Material

Name	Polyurethane (PU60)
Colour	Green transparent
Temperature, min.   °C	10
Temperature max.   °C	50
Hardness   °Shore A	60

## Material resistance

Alcohol	n/a
Concentrated acids	Fair
Ethanol	Fair
Hydrolysis	Fair
Methanol	Poor
Oil	Excellent
Oxidation	Poor
Petrol	Fair
Wear resistance	Excellent
Weather and ozone	Excellent

## Dimensional drawings



## Values specified in this data sheet are tested at (unless otherwise stated):

- Room temperature (20°C [68°F] ± 3°C [5.5°F]).
- Standard atmosphere (101.3 [29.9 inHg] ± 1.0 kPa [0.3 inHg]).
- Relative humidity 20-70%.
- Compressed air quality, DIN ISO 8573-1 class 4.

## Accessories

- 0107145 | Suction cup BX75P Polyurethane 30/60 with filter, for thread insert
- 0200716 | Thread insert G1/8" male, with O-ring and mesh filter
- 0201077 | Thread insert G1/4" male, with O-ring and mesh filter

## Spare parts

- 0106797 | Thread insert G3/8" male, with O-ring
- 0107150 | Suction cup BX75P Polyurethane 60 with filter, for thread insert
- 0201003 | Suction cup filter BX75P, 10 pcs