

Suction cup U4 Chloroprene, M5 male

Article number: 3150059



- Suitable for objects with flat or slightly curved surfaces.
- Also used for concave objects.

Technical data

| Description | Unit | Value |
|-------------------------|-----------------|---|
| Suction cup shape | - | Universal |
| Application | - | Dry sheet metal, Plastic injection molded parts |
| Suction cup design | - | Round |
| Characteristics | - | Dry sheet metal, Plastic injection molded parts |
| Material | - | Chloroprene (CR) |
| Weight, min. | g | 0.08 |
| Suction cup model | - | U |
| Volume | cm ³ | 0.03 |
| Height | mm | 13.6 |
| Outer diameter, min. | mm | 5 |
| Fitting size | - | M5 |
| Fitting option | - | None |
| Fitting style | - | Male |
| Fitting type | - | M-thread |
| Suction cup model | - | U4 |
| Movement, vertical max. | mm | 0.2 |
| Curve radius, min. | mm | 3 |

Performance - Lifting forces

| U4 | Vertical (N) | Parallel (N) |
|---------|--------------|--------------|
| 20 -kPa | 0.2 | 0.2 |
| 60 -kPa | 0.9 | 0.8 |
| 90 -kPa | 1.3 | 1 |

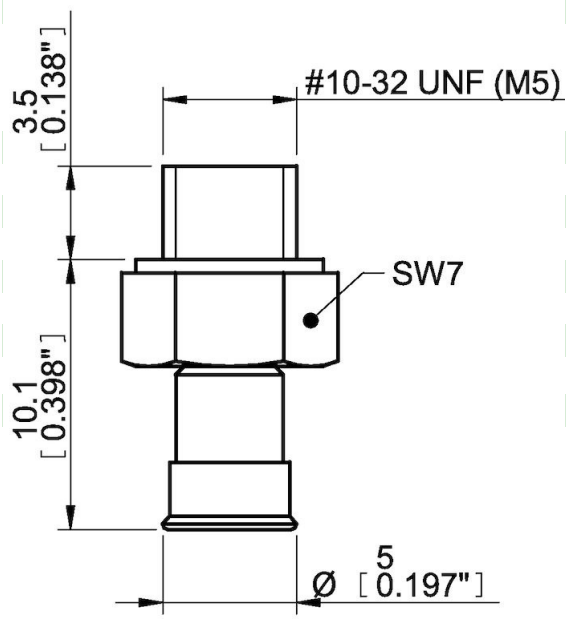
Material

| | |
|------------------------|------------------------------|
| Name | Chloroprene (CR) 50° Shore A |
| Colour | Black |
| Temperature, min. °C | -40 |
| Temperature max. °C | 110 |
| Hardness °Shore A | 50 |

Material resistance

| | |
|--------------------|-----------|
| Alcohol | Good |
| Concentrated acids | Poor |
| Ethanol | n/a |
| Hydrolysis | Good |
| Methanol | n/a |
| Oil | Fair |
| Oxidation | Good |
| Petrol | Fair |
| Wear resistance | Excellent |

| | |
|----------------------|------------------------------|
| Material and ozone | Good |
| Name | Chloroprene (CR) 50° Shore A |
| Dimensional drawings | Black |
| | -40 |
| | 110 |
| | 50 |
| | Good |
| | Poor |
| | n/a |
| | Good |
| | n/a |
| | Fair |
| | Good |
| | Fair |
| | Excellent |
| | Good |



Values specified in this data sheet are tested at (unless otherwise stated):

- Room temperature (20°C [68°F] ± 3°C [5.5°F]).
- Standard atmosphere (101.3 [29.9 inHg] ± 1.0 kPa [0.3 inHg]).
- Relative humidity 20-70%.
- Compressed air quality, DIN ISO 8573-1 class 4.

Accessories

3150114S | Suction cup U4 Silicone

Spare parts

3107031 | Fitting M5 male, 5–8

3150114 | Suction cup U4 Chloroprene