

Suction cup BX35P, Polyurethane 60

Article number: 0107477



- Suitable for level adjustment and for uneven and porous surfaces such as cardboard, etc.
- In the two-coloured suction cup the bellows and the sealing lip are of different hardnesses, which makes the suction cup strong and stable and, at the same time, soft and flexible.
- DURAFLEX® suction cups manufactured in a specially developed material that features the elasticity of rubber and wear resistance of polyurethane.
- The material DURAFLEX® is mark free.

Technical data

Description	Unit	Value
Suction cup shape	-	Multibellows
Application	-	Dry sheet metal, Corrugated / cardboard, Plastic injection molded parts, Mark Free
Suction cup design	-	Round
Characteristics	-	Dry sheet metal, Corrugated / cardboard, Plastic injection molded parts, Mark free
Material	-	Polyurethane (PU)
Weight, min.	g	8
Suction cup model	-	BX-P
Volume	cm ³	10
Height	mm	26.8
Outer diameter, min.	mm	37
Fitting size	-	None
Fitting option	-	None
Fitting style	-	None
Fitting type	-	None
Suction cup model	-	BX35P PU60
Movement, vertical max.	mm	14
Curve radius, min.	mm	10

Performance - Lifting forces

BX35P PU60	Vertical (N)	Parallel (N)
20 -kPa	15	14
60 -kPa	25	23
90 -kPa	30	28

Material

Name	Polyurethane (PU60)
Colour	Green transparent
Temperature, min. °C	10
Temperature max. °C	50
Hardness °Shore A	60

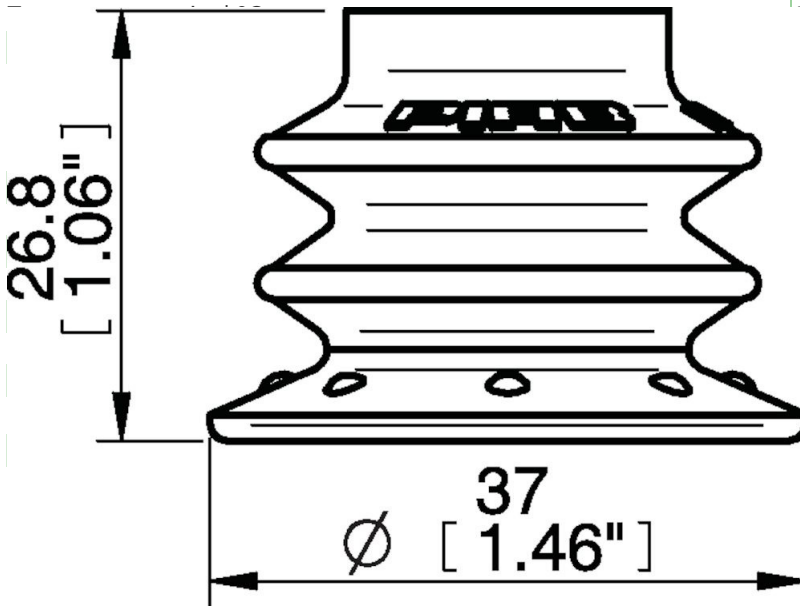
Material resistance

Alcohol	n/a
Concentrated acids	Fair
Ethanol	Fair
Hydrolysis	Fair
Methanol	Poor
Oil	Excellent
Oxidation	Poor
Petrol	Fair
Wear resistance	Excellent

Water and ozone

Name Polyurethane (PU60)

Dimensional drawings Green transparent



0
0
0
/a
air
air
air
oor
xcellent
oor
air
xcellent
xcellent

Values specified in this data sheet are tested at (unless otherwise stated):

- Room temperature (20°C [68°F] ± 3°C [5.5°F]).
- Standard atmosphere (101.3 [29.9 inHg] ± 1.0 kPa [0.3 inHg]).
- Relative humidity 20-70%.
- Compressed air quality, DIN ISO 8573-1 class 4.

Accessories

- 0101153 | Fitting 1/8" NPSF female, 30–40, with mesh filter
- 0200714 | Fitting G1/8" male, 40, with mesh filter
- 3250005 | Fitting 1/8" NPSF female, 30–40
- 3250086 | Fitting G3/8" male, 30–40, with mesh filter
- 3250089 | Fitting 3/8" NPT male, with mesh filter
- 3250091 | Fitting G1/4" male, 30–40, with mesh filter
- 3250093 | Fitting 1/4" NPT male, with mesh filter
- 3251006 | Fitting 1/8" NPSF female, 30–40, with dual flow control valve
- 3251007 | Fitting G1/4" male, 30–40, with mesh filter and dual flow control valve
- 3251008 | Fitting 1/4" NPT male, with dual flow control valve
- 3251009 | Fitting G3/8" male, 30–40, with mesh and dual flow control valve
- 3251010 | Fitting 3/8" NPT male, with dual flow control valve

Spare parts

- 0201001 | Suction cup filter BX35P, 10 pcs